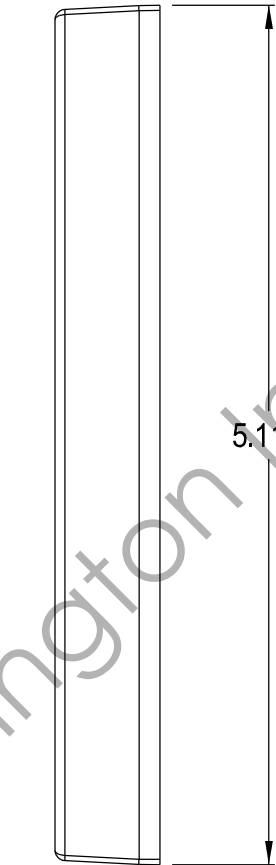
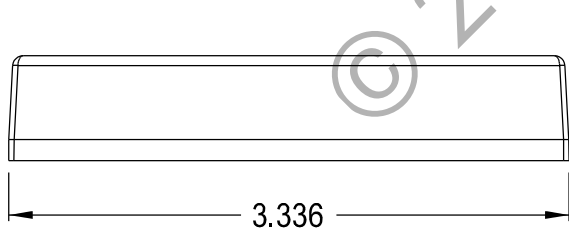
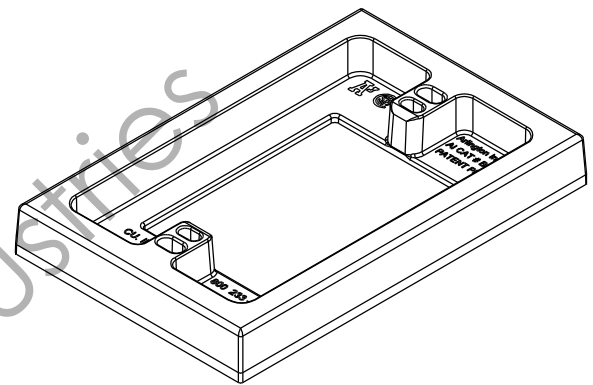


5.117



5.117

.625



.625

3.336

© 2012 Arlington Industries