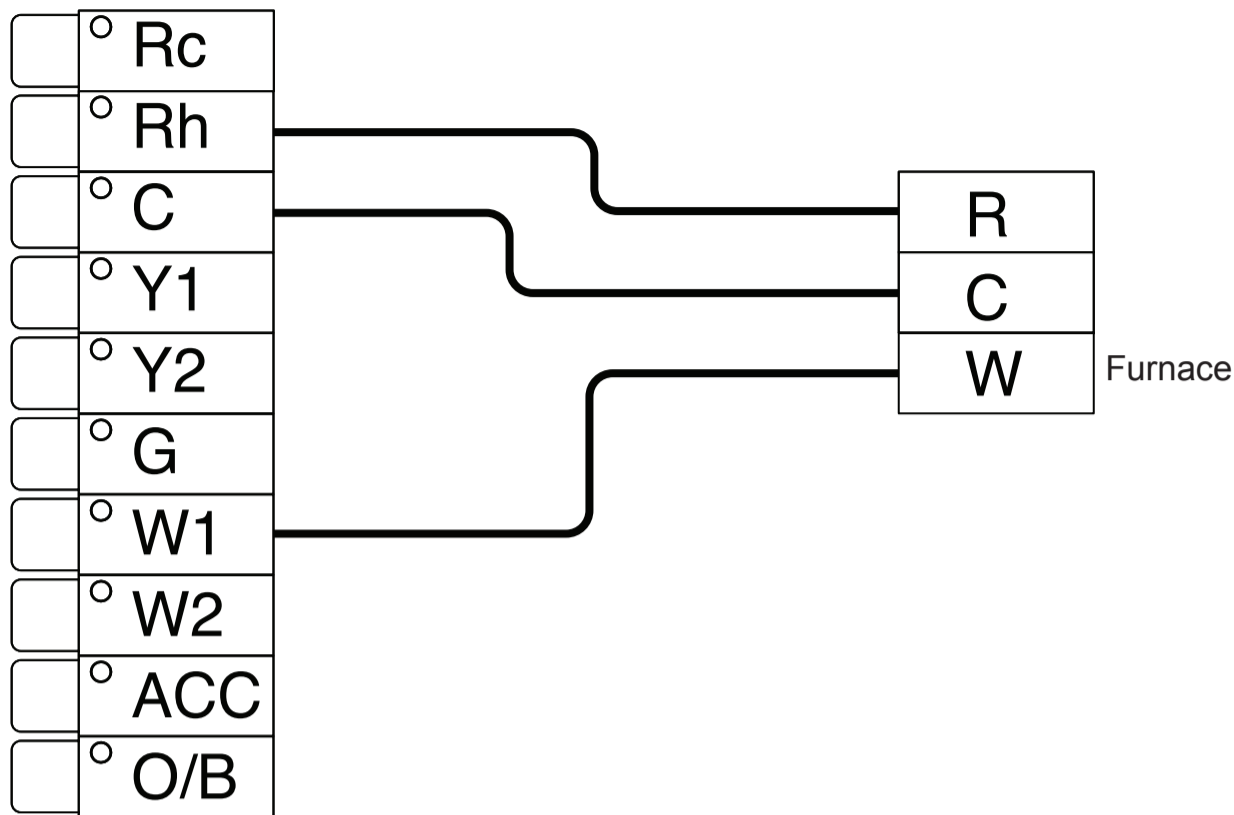
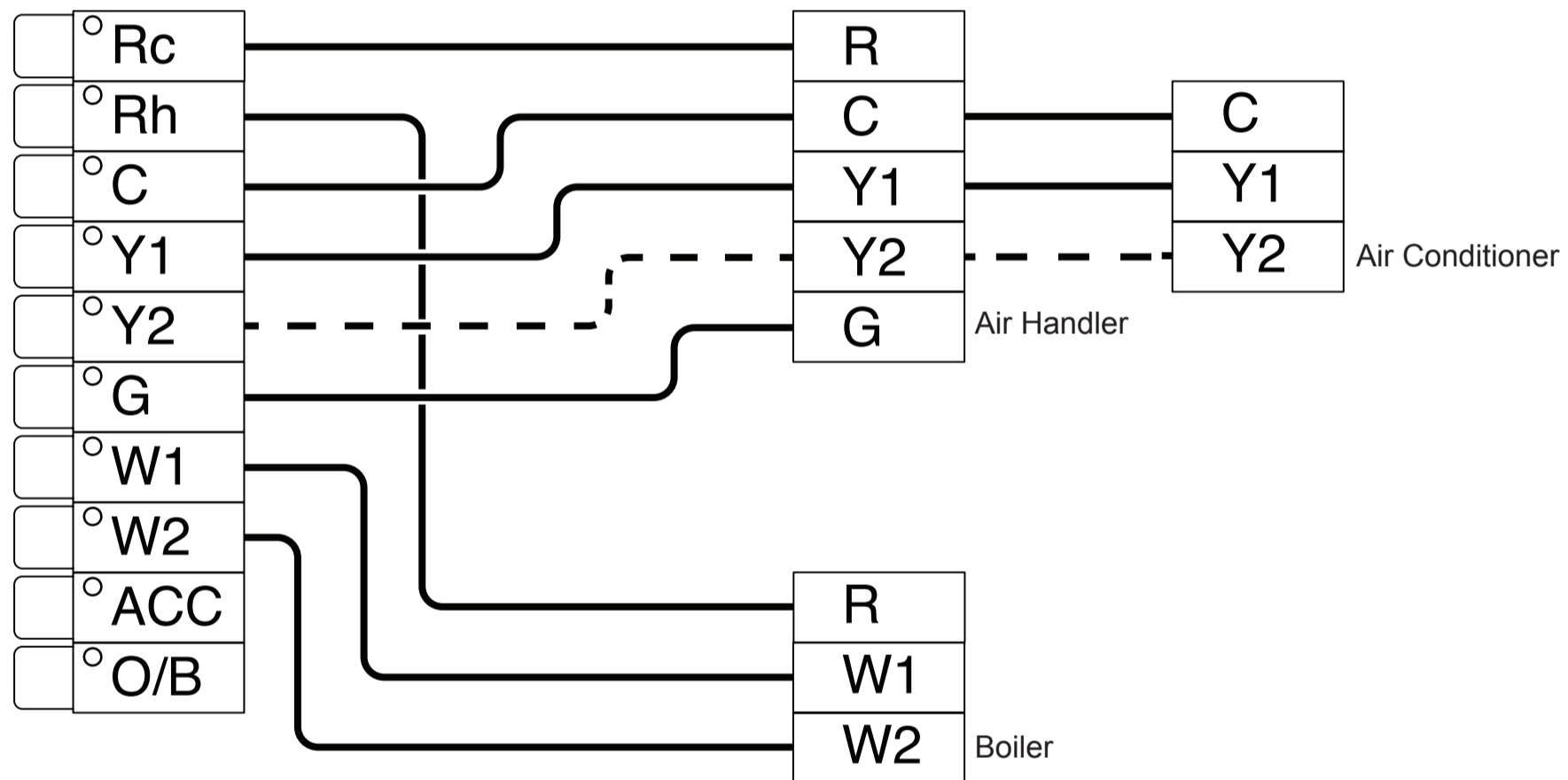


CONVENTIONAL

Heating-Only System

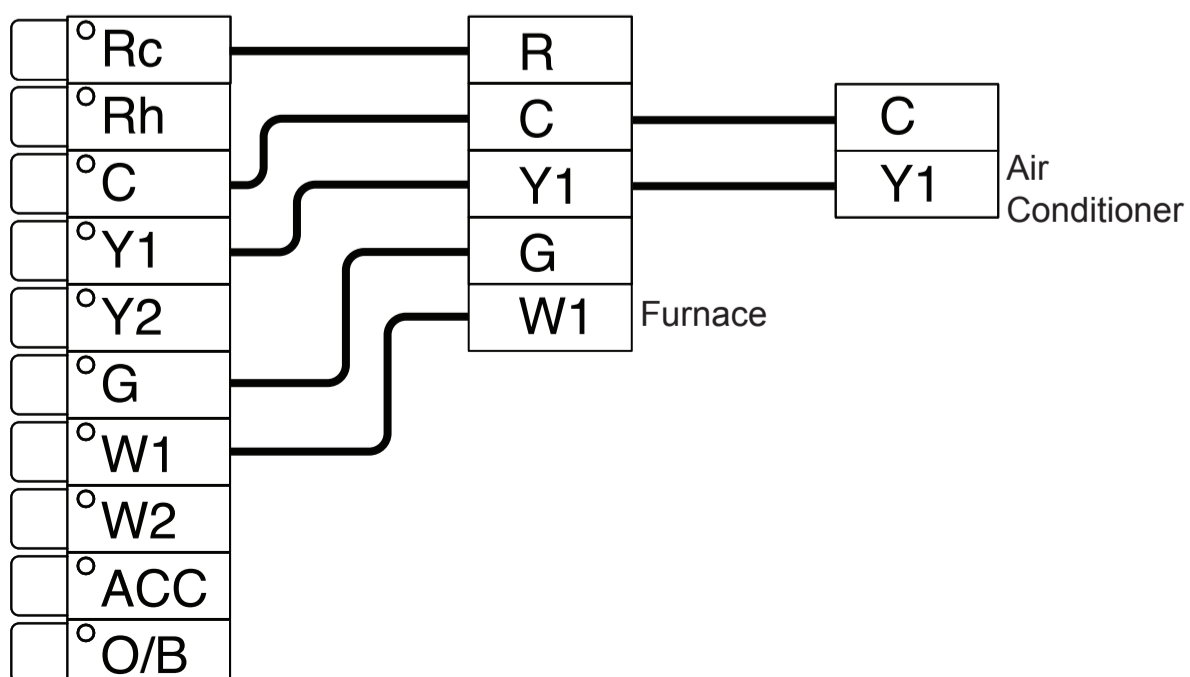


Water-Based Heating, Air-Based Cooling

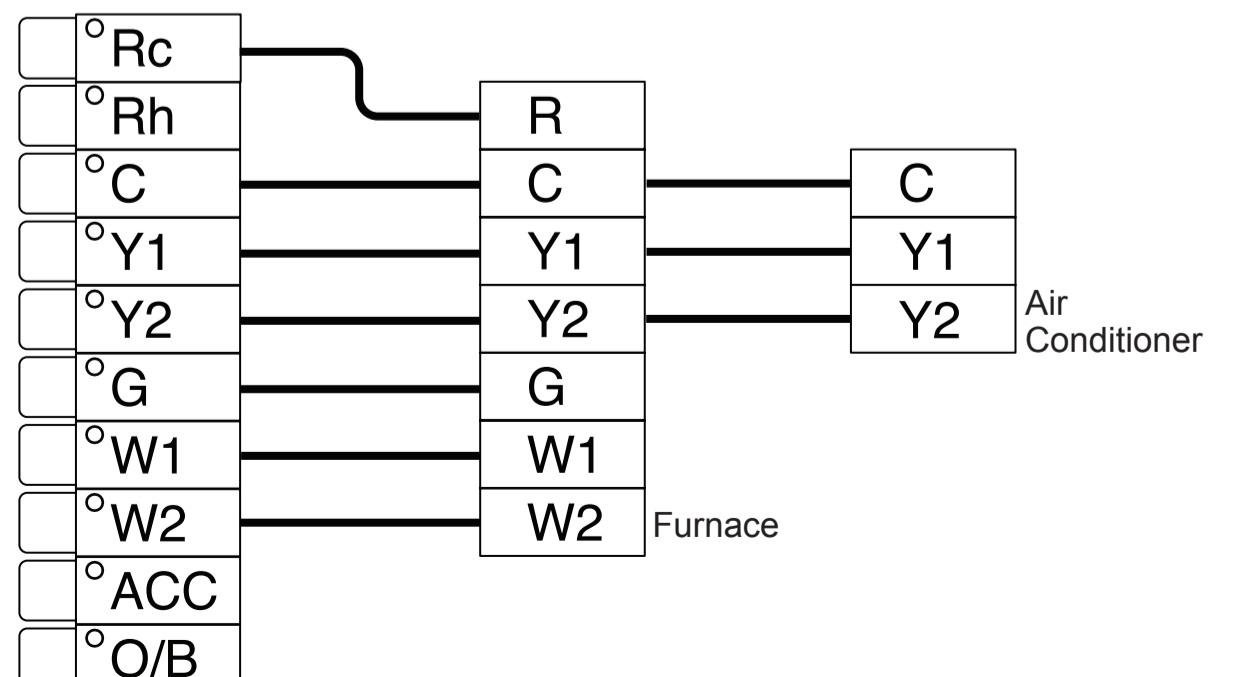


Remove the jumper on the back of the device.

Conventional Heating and Cooling (1-stage)

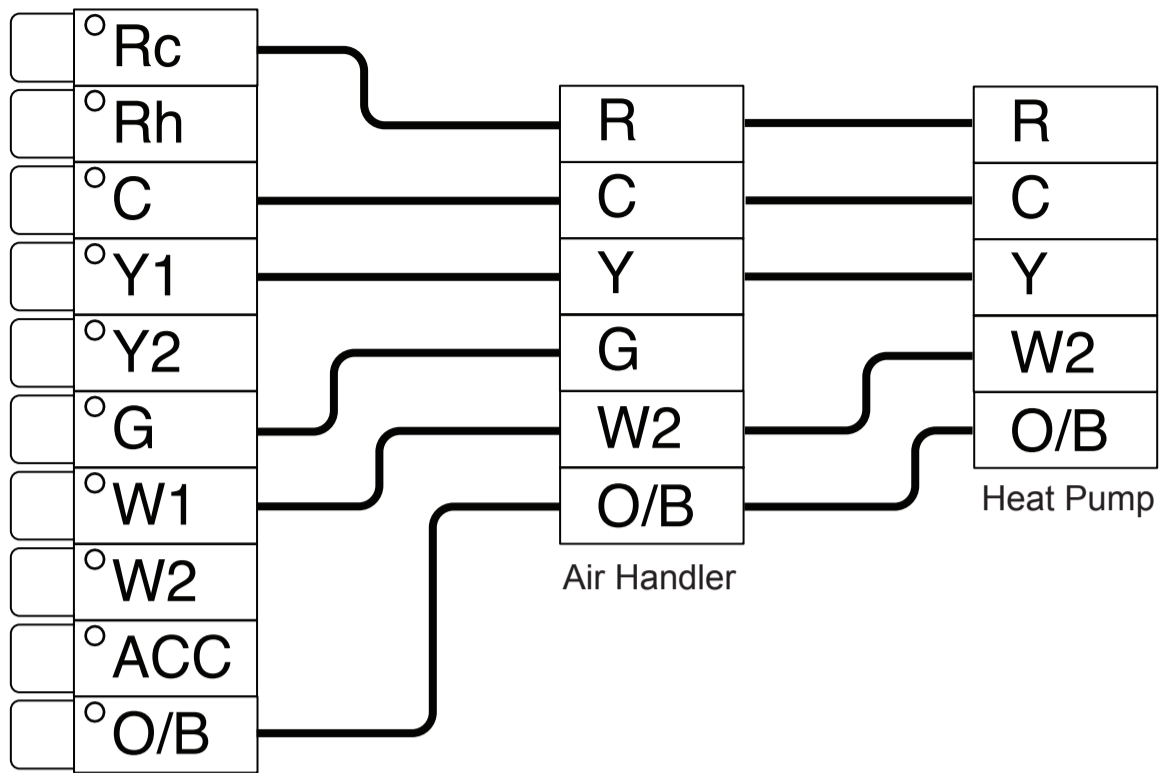


Conventional Heating and Cooling (2-stage)

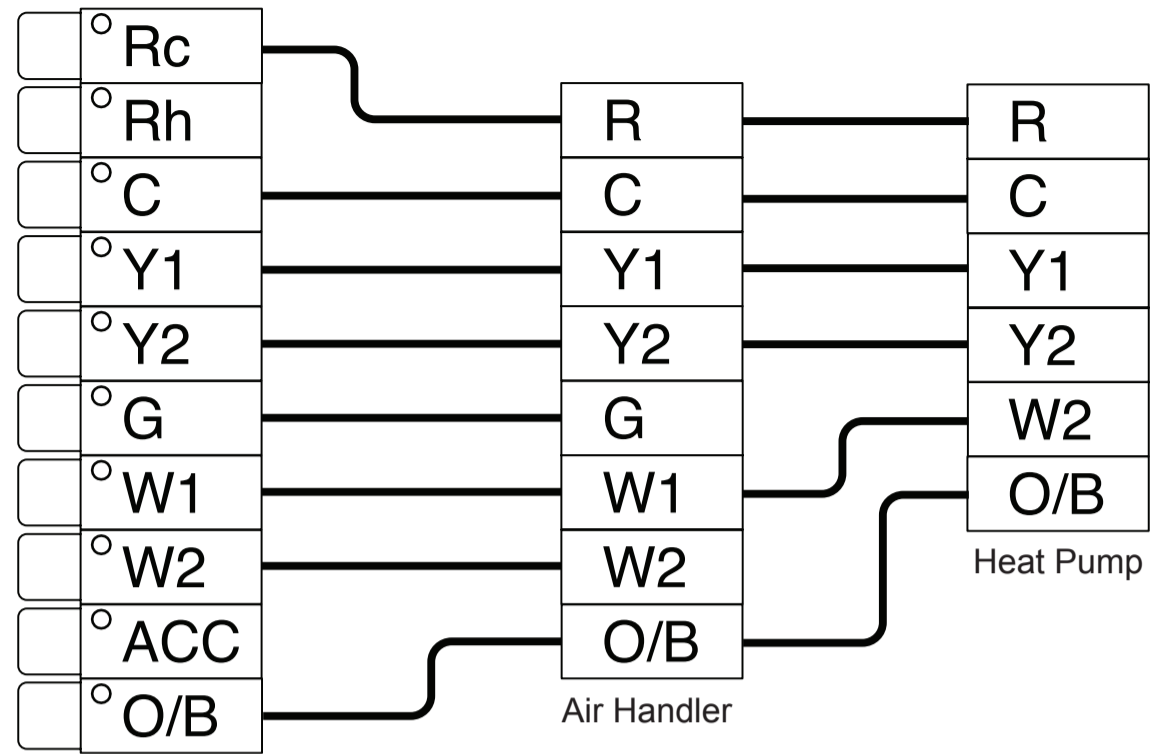


HEAT PUMP

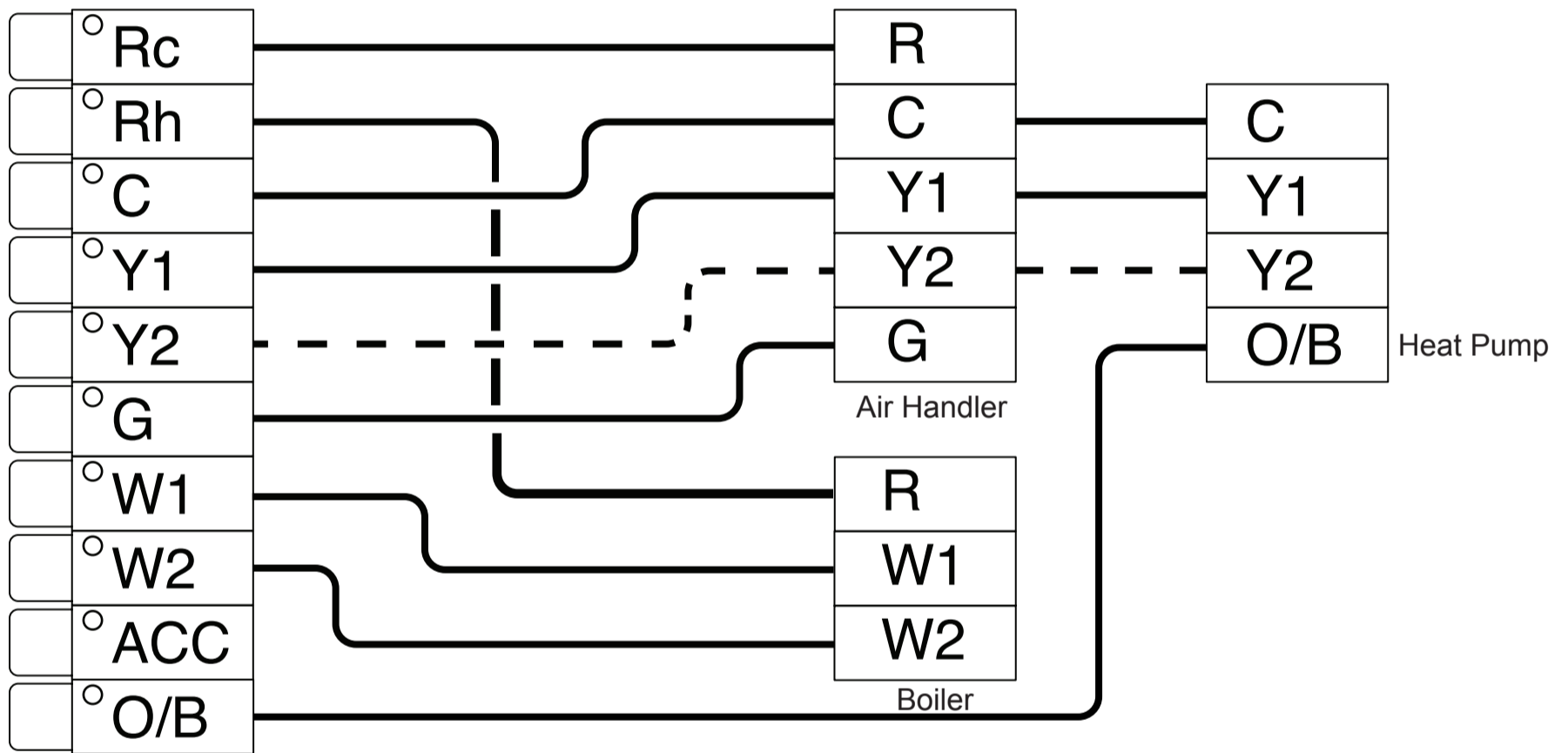
Heat Pump Heating and Cooling (1-stage)



Heat Pump Heating and Cooling (2-stage)



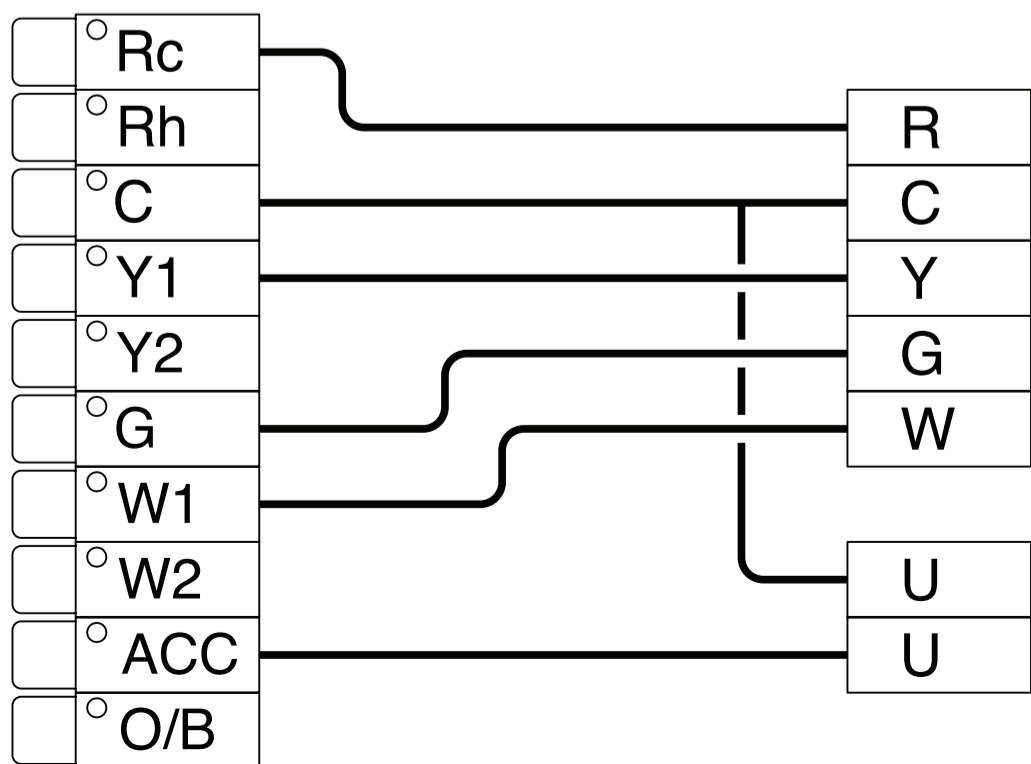
Heat Pump with Water-Based Auxiliary Heating



Remove the jumper on the back of the device.

ACCESSORIES

Humidifier / Dehumidifier



Accessory with 1 Wire

