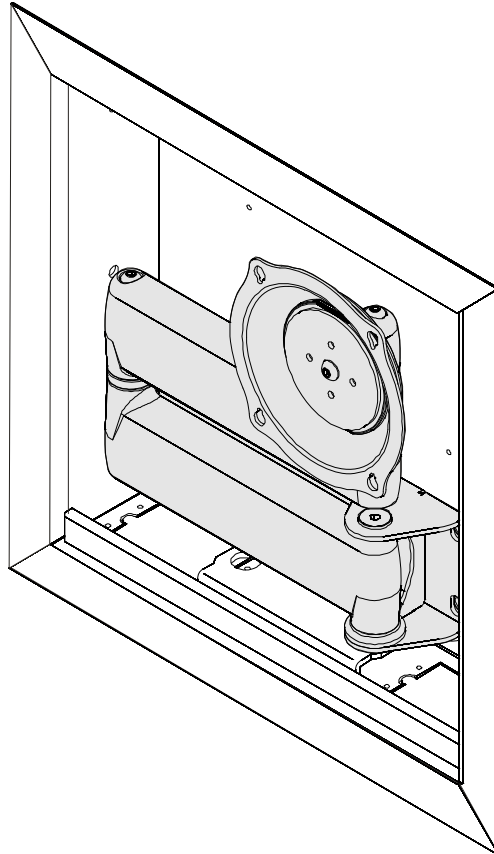

INSTALLATION INSTRUCTIONS



Medium Flat Panel In-Wall Swing Arm Mount

DISCLAIMER

Milestone AV Technologies, Inc., and its affiliated corporations and subsidiaries (collectively, "Milestone"), intend to make this manual accurate and complete. However, Milestone makes no claim that the information contained herein covers all details, conditions or variations, nor does it provide for every possible contingency in connection with the installation or use of this product. The information contained in this document is subject to change without notice or obligation of any kind. Milestone makes no representation of warranty, expressed or implied, regarding the information contained herein. Milestone assumes no responsibility for accuracy, completeness or sufficiency of the information contained in this document.

Chief® and Centris™ are trademarks of Milestone AV Technologies, Inc. All rights reserved.

! IMPORTANT WARNINGS AND CAUTIONS!

! WARNING: A WARNING alerts you to the possibility of serious injury or death if you do not follow the instructions.

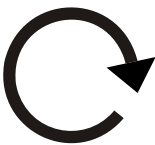
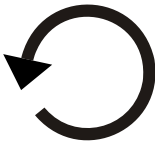


! CAUTION: A CAUTION alerts you to the possibility of damage or destruction of equipment if you do not follow the corresponding instructions.

! WARNING: Failure to read, thoroughly understand, and follow all instructions can result in serious personal injury, damage to equipment, or voiding of factory warranty! It is the installer's responsibility to make sure all components are properly assembled and installed using the instructions provided.

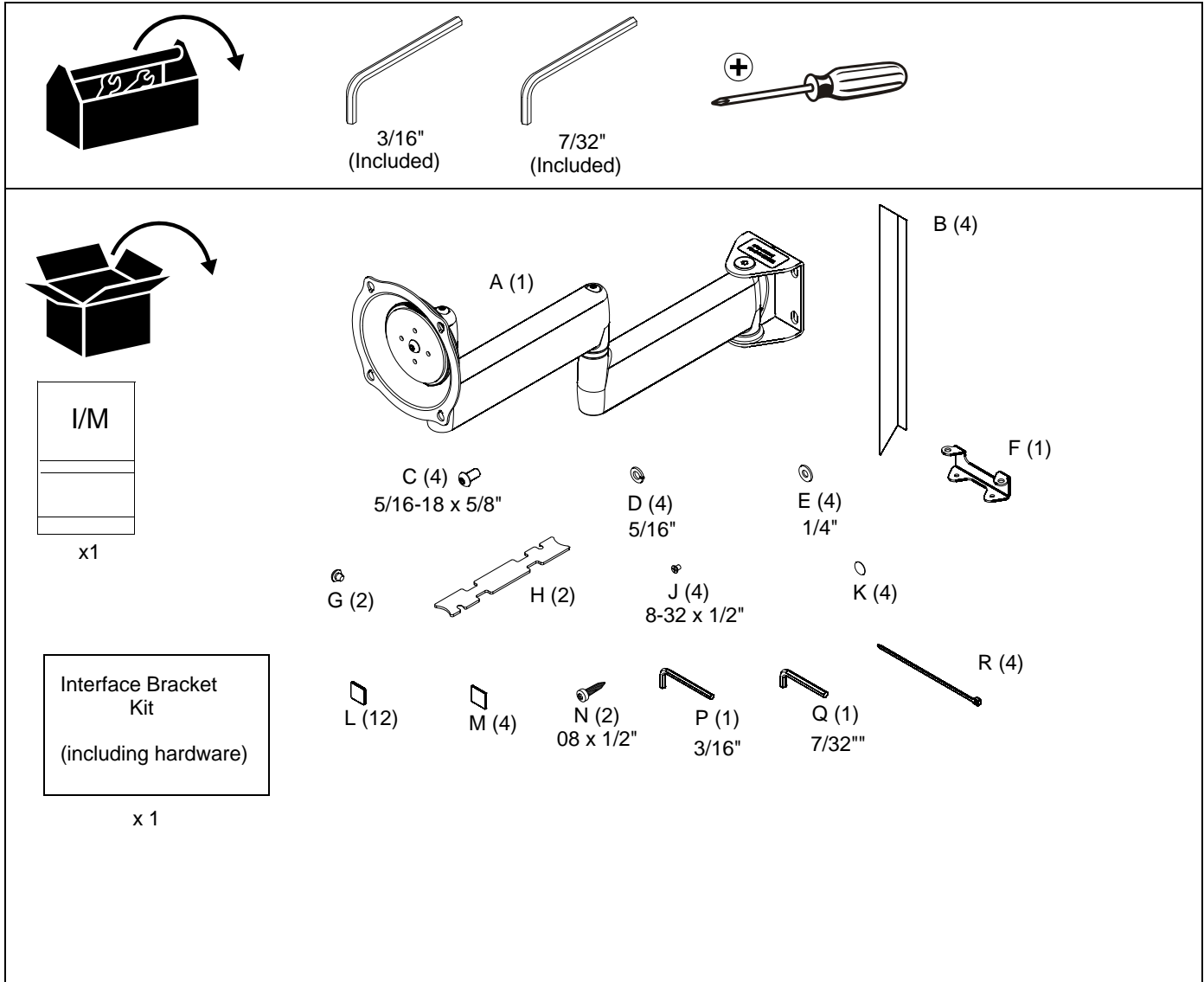
! WARNING: Failure to provide adequate structural strength for this component can result in serious personal injury or damage to equipment! It is the installer's responsibility to make sure the structure to which this component is attached can support five times the combined weight of all equipment. Reinforce the structure as required before installing the component.

! WARNING: Exceeding the weight capacity can result in serious personal injury or damage to equipment! It is the installer's responsibility to make sure the combined weight of all components attached to this accessory does not exceed 75 lbs (34 kg).

LEGEND

	Tighten Fastener
	Apretar elemento de fijación
	Befestigungsteil festziehen
	Apertar fixador
	Serrare il fissaggio
	Bevestiging vastdraaien
Serrez les fixations	
	Loosen Fastener
	Aflojar elemento de fijación
	Befestigungsteil lösen
	Desapertar fixador
	Allentare il fissaggio
	Bevestiging losdraaien
Desserrez les fixations	
	Hex-Head Wrench
	Llave de cabeza hexagonal
	Sechskantschlüssel
	Chave de cabeça sextavada
	Chiave esagonale
	Zeskantsleutel
Clé à tête hexagonale	
	Phillips Screwdriver
	Destornillador Phillips
	Kreuzschlitzschraubendreher
	Chave de fendas Phillips
	Cacciavite a stella
	Kruiskopschroevendraaier
Tournevis à pointe cruciforme	

TOOLS REQUIRED FOR INSTALLATION AND PARTS



Installation

The following procedure assumes that a Chief Model MAC501 In-Wall accessory has previously been installed following the installation instructions provided by the manufacturer. If a MAC501 is not installed or there are any other questions regarding the installation of this accessory, immediately contact a Chief Customer Service representative by calling 800-582-6480 or by visiting www.chiefmfg.com.

⚠ WARNING: IMPROPER INSTALLATION CAN LEAD TO MOUNT FALLING CAUSING SEVERE PERSONAL INJURY OR DAMAGE TO EQUIPMENT! DO NOT deviate from installation instructions provided. DO NOT substitute hardware.

The MAC501 is designed to accommodate 4 1/2" of right or left display offset. This is accomplished by aligning the JWDIW with either the right hand or left hand hole in the MAC501 bottom support plate. The bumper mounting bracket is installed on the side opposite the side used for installing the JWDIW swing arm. (See Figure 2)

Install Bumper

1. Install two bumpers (G) to bumper mounting bracket (F). (See Figure 1)

NOTE: A screwdriver may be required to push bumper into hole in bumper mounting bracket.

2. Secure bumper mounting bracket (F) to MAC501 on whichever side the arm is going to be retracted, using two Phillips pan head screws (N). (See Figure 1)

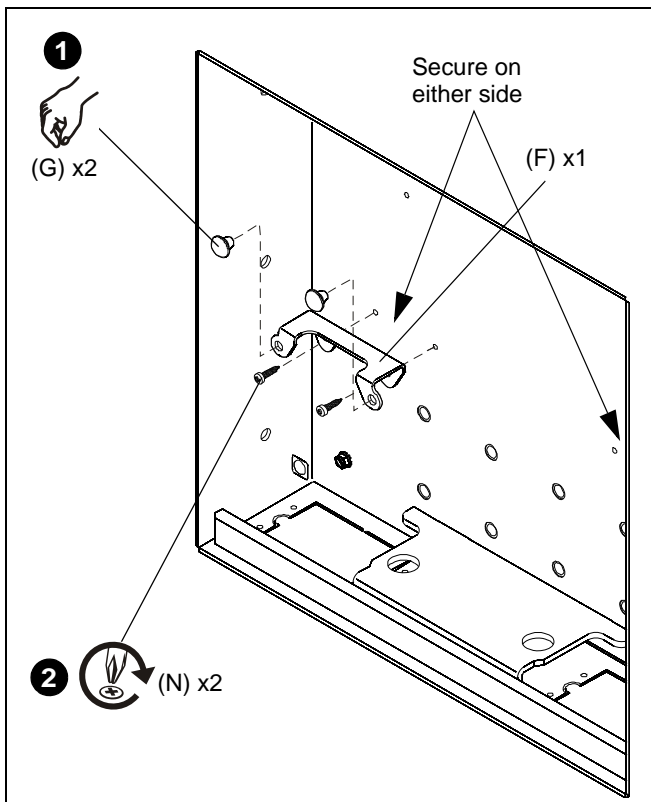


Figure 1

3. Align bottom of swing arm pivot pin with hole in lower support plate. (See Figure 2)
4. Lower swing arm until pivot pin rests in hole in lower support plate. (See Figure 2)
5. Align four mounting holes in swing arm mounting bracket with four mounting holes in MAC501. (See Figure 2)

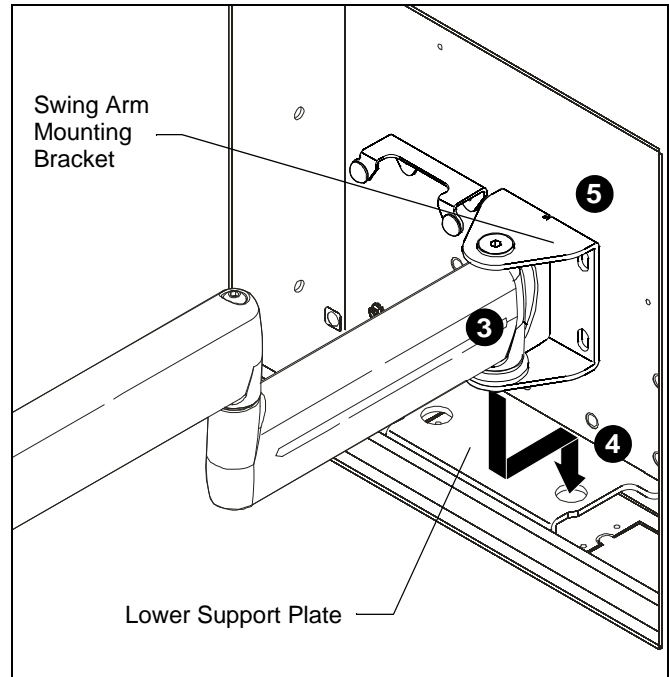


Figure 2

6. Secure swing arm to MAC501 using four button head cap screws (C), four lock washers (D) and four flat washers (E).

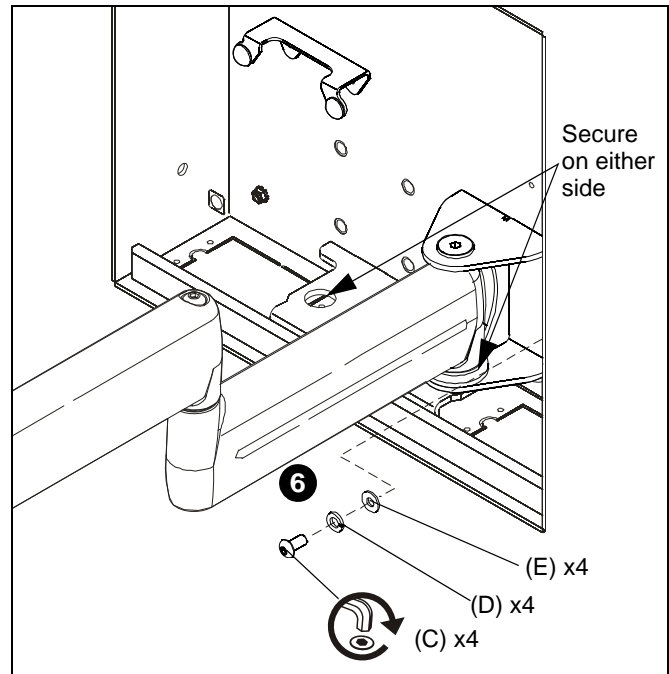


Figure 3

Display Installation

NOTE: If the display being installed has a 100x100 VESA mounting pattern, no interface bracket is required and the display can be mounted directly to the Centris cup as outlined below.

NOTE: If the display being installed requires an interface bracket, refer to the interface bracket installation instructions.



WARNING: IMPROPER INSTALLATION CAN LEAD TO DISPLAY FALLING CAUSING SERIOUS PERSONAL INJURY OR DAMAGE TO EQUIPMENT! Using screws of improper size may damage your display! Proper screws will easily and completely thread into display mounting holes. Ensure that screws are not too long.



WARNING: IMPROPER INSTALLATION CAN LEAD TO DISPLAY FALLING CAUSING SERIOUS PERSONAL INJURY OR DAMAGE TO EQUIPMENT! Inadequate thread engagement in display may cause display to fall! Back out screws ONLY as necessary to allow installation of Centris cup!

1. Start two M4 x 8mm Phillips pan head screws (included in hardware kit) into upper mounting holes in display back. (See Figure 4)

NOTE: Leave at least 1/8" of each screw protruding out back of display.

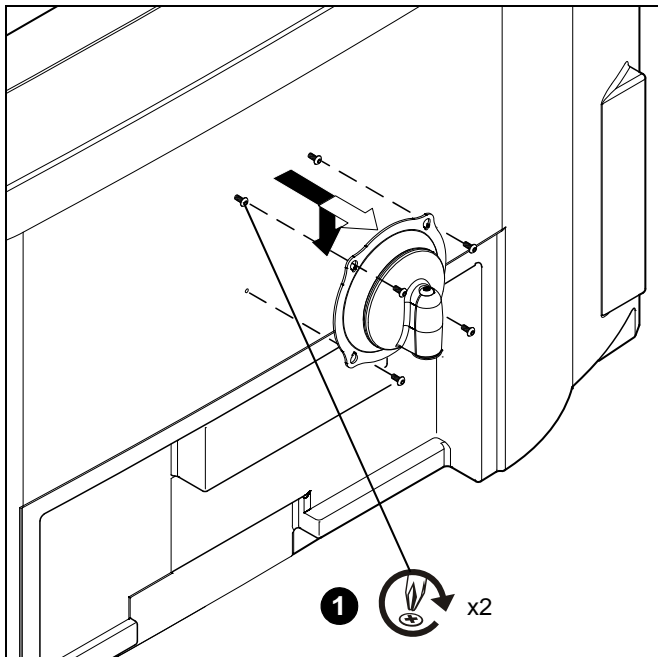


Figure 4

2. Align two screws in display back with upper mounting holes in Centris cup and lower display until screws are seated in lower area of teardrop mounting holes. (See Figure 5)
3. Install two more of the same screws through lower mounting holes in Centris cup and into display back. (See Figure 5)
4. Tighten all hardware.

5. Route cables and wires to display.

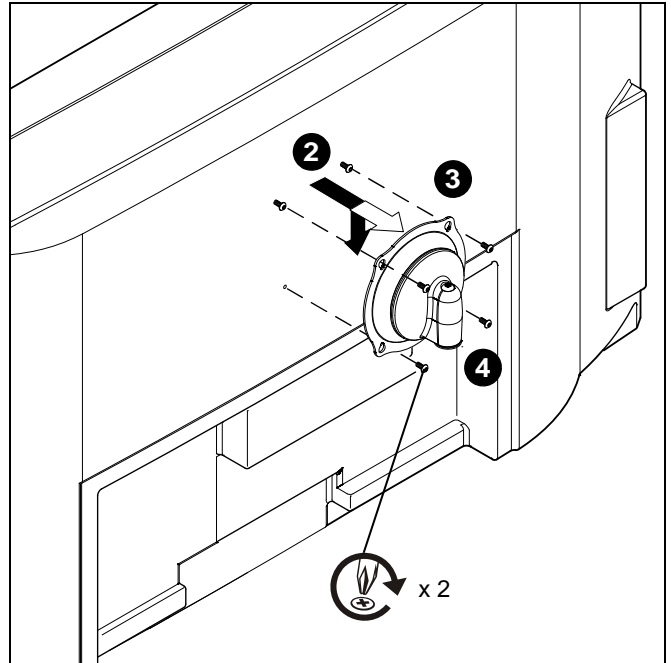


Figure 5

Cable Management

1. Attach all cables to display.



CAUTION: Ensure that adequate cable slack exists for movement of display, and that cables will not be pinched by installation of cover (H) or screws (J).

2. Carefully insert cables in cavity located in lower portion of mount arm (See Figure 6).
3. Using Phillips screwdriver, install cover (H) with two screws (J). (See Figure 6)

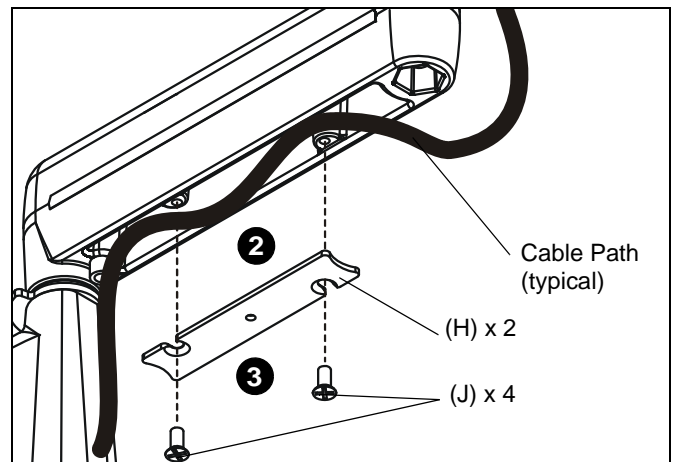


Figure 6

Optional Trim Installation

1. Remove paper covering adhesive and affix three tape squares (L) to inside lower flange of each trim piece (B). (See Figure 7)

2. Orient trim pieces (B) as shown in figure below. (See Figure 7)
3. Remove paper covering adhesive back from tape squares (L) on trim and press trim (B) against inner wall of box. (See Figure 7)

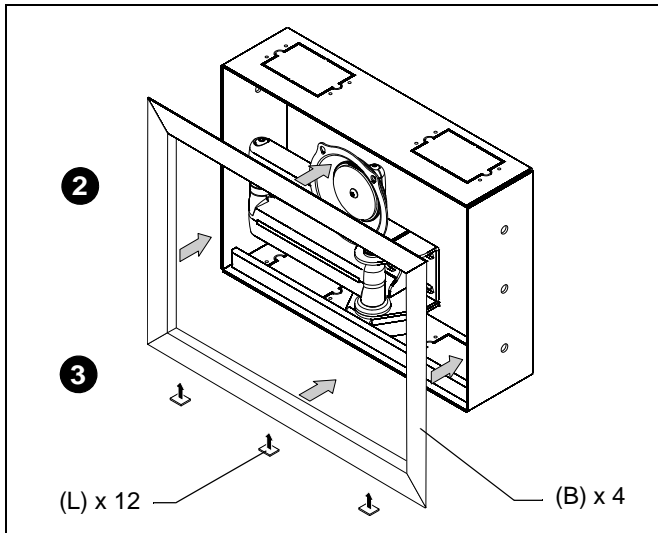


Figure 7

ADJUSTMENTS

Swing Arm

PIVOT / SWING Tension

1. Using 3/16" hex key (P), slightly loosen or tighten the adjustment screw(s) as necessary (See Figure 8).

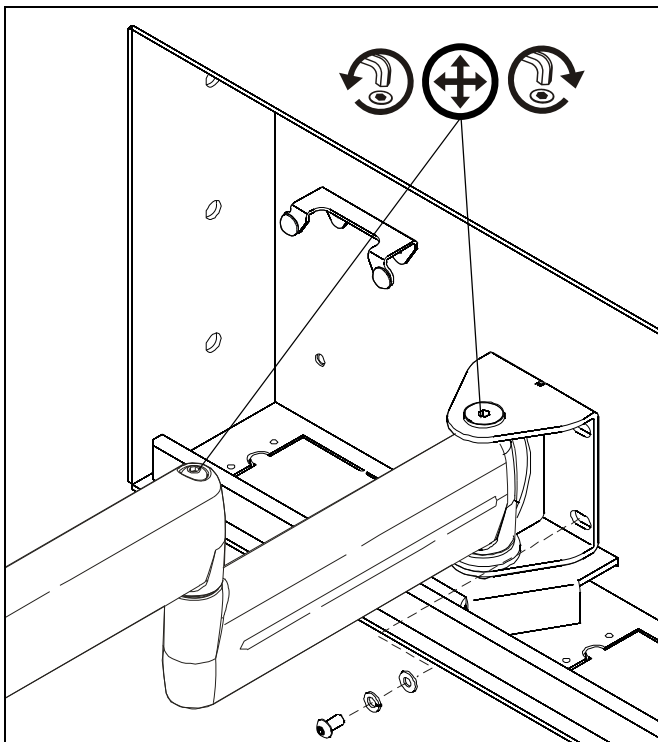


Figure 8

DISPLAY ROLL, PITCH, YAW Tension

1. Disconnect all wires and cable from the display.
2. Remove two *Lower* screws securing display to Centris cup.
3. Loosen two *Upper* screws securing display.
4. Lift display upward and away from mount.
5. Using a hex key turn the tension adjustment screw clockwise to increase tension, or counter-clockwise to decrease tension. (See Figure 9)
6. Re-install display.

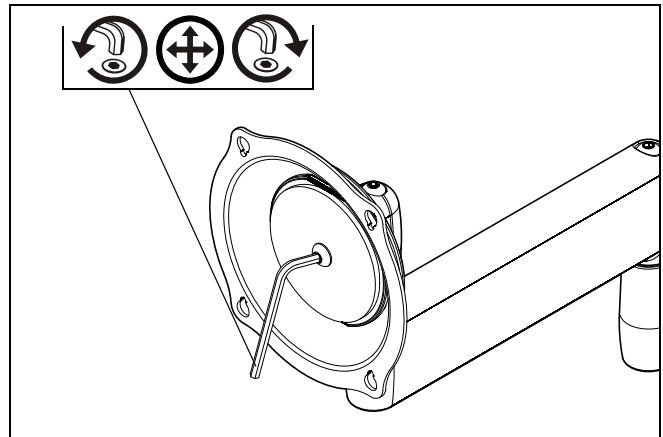


Figure 9



Our Mounts. **Your Vision.**

Chief Manufacturing, a division of
Milestone AV Technologies

8805-000241 RevB
©2008 Milestone AV Technologies
www.chiefmfg.com
06/08

USA/International **A** 8401 Eagle Creek Parkway, Savage, MN 55378
 P 800.582.6480 / 952.894.6280
 F 877.894.6918 / 952.894.6918

Europe **A** Fellenoord 130 5611 ZB EINDHOVEN, The Netherlands
 P +31 (0)40 2668620
 F +31 (0)40 2668615

Asia Pacific **A** Room 24F, Block D, Lily YinDu International Building
 LuoGang, BuJi Town, Shenzhen, CHINA.
 深圳市布吉罗岗村百合银都国际大厦D栋24F
 P +86-755-8996 9226
 F +86-755-8996 9217

