

Cable Plate with Flexible Opening

1-Gang 45-0014-**

2-Gang 45-0015-**



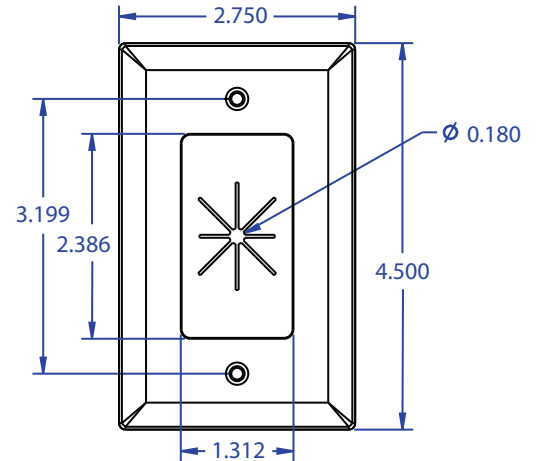
DataComm Electronics, Inc.

888.223.7977 / 770.662.8205 / www.datacommelectronics.com

SPECIFICATIONS: 45-0014

- ▶ One-gang cable plate
- ▶ Holds up to 6 cables
- ▶ Plastic: ABS, UL
- ▶ ETL Listed
- ▶ Available colors: black, ivory, lite almond, white
- ▶ Mounting wings are molded into the cable plate and fasten tightly against the back of the drywall
- ▶ Mounting wings are designed for use in walls up to 1" in thickness
- ▶ No low voltage mounting plate or old work ring required
- ▶ Center portion of cable plate is made of flexible plastic that allows multiple cables to pass through the plate

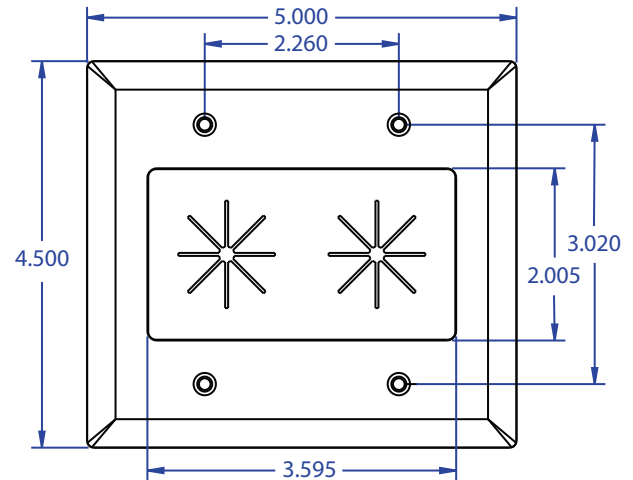
Front View: 45-0014



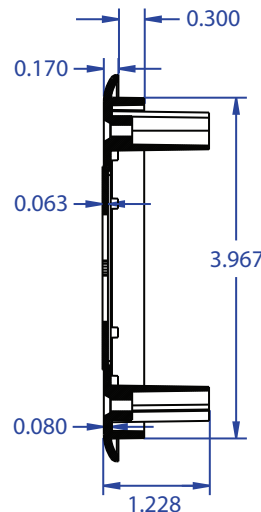
SPECIFICATIONS: 45-0015

- ▶ Two-gang cable plate
- ▶ Holds up to 12 cables
- ▶ Plastic: ABS, UL
- ▶ ETL Listed
- ▶ Available colors: black, ivory, lite almond, white
- ▶ Mounting wings are molded into the cable plate and fasten tightly against the back of the drywall
- ▶ Mounting wings are designed for use in walls up to 1" in thickness
- ▶ No low voltage mounting plate or old work ring required
- ▶ Center portion of cable plate is made of flexible plastic that allows multiple cables to pass through the plate

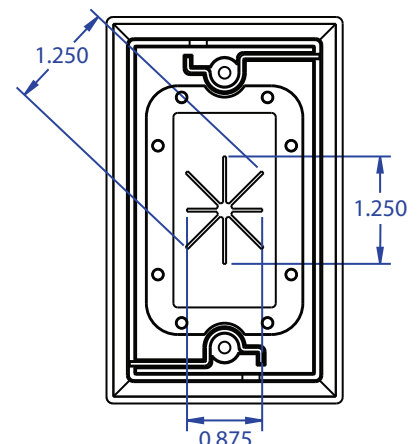
Front View: 45-0015



Side View



Back View



RoHS Compliant

This product is patent protected by U.S. Patent number: 7495171.