

# Relay Module

## ELK-912 & 912-12

The ELK-912 is a high quality 12 Volt D.C. relay with SPDT (Form "C") dry contacts. It features low current draw, positive or negative activation, and is ideal for general purpose switching of devices or high current loads. Also available in a 12 pack (ELK-912-12) which is packaged as multiple relay modules grouped on a pre-scored break-off circuit board.



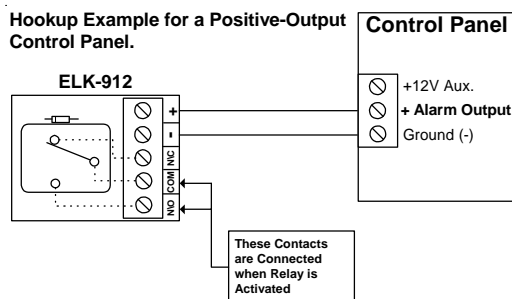
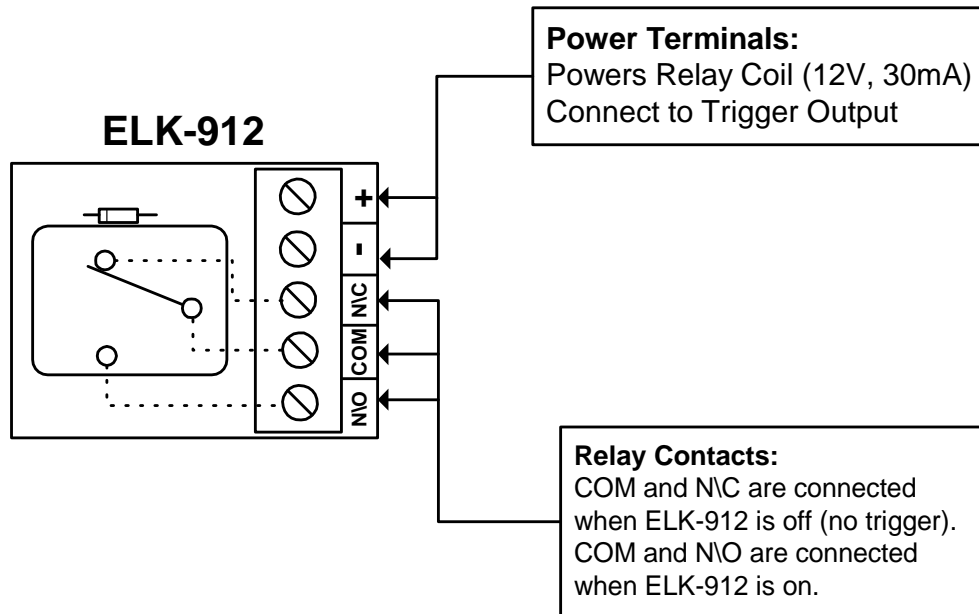
## Features

- Low Current Draw.
- Positive Or Negative Activation.
- Form "C" Dry Contacts.
- Elevator Style Screw Terminals.
- Great For General Purpose Switching .
- Small, Compact Size.
- Double Sided Foam Tape Provided For Mounting.
- Packaged in Reusable Poly Storage Box.
- Lifetime Limited Warranty.

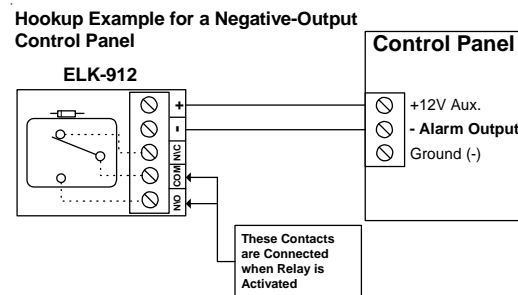
## Specifications

- Operating Voltage: 12 Volts D.C.
- Current Draw: 30mA (relay on).
- Relay Contacts: Form "C", 7A @ 30 VDC, 10A @ 125 VAC.
- Min. Pull-in Voltage: 9 Volts D.C.
- Size: 1.1" X 1.55" (28mm X 39mm) Ea.

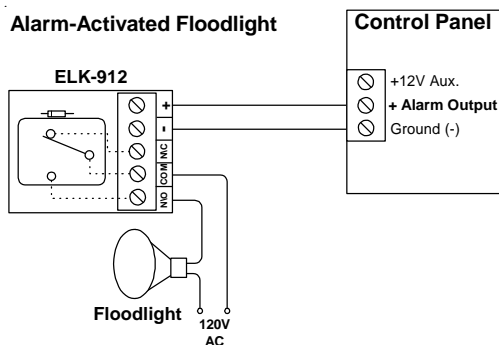
## APPLICATIONS AND WIRING DIAGRAMS



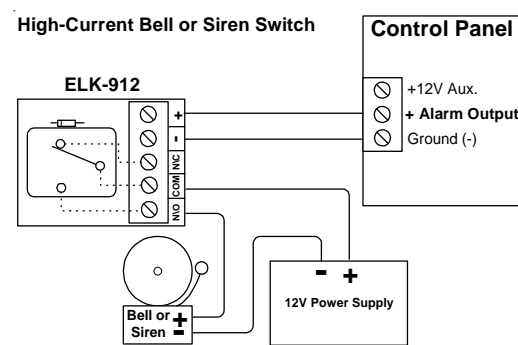
**Example 1:** If control has a positive output, connect the "-" terminal of the ELK-912 to the control's ground terminal. Connect the "+" terminal of the ELK-912 to the positive alarm output.



**Example 2:** If control has a negative output, connect the "+" terminal of the ELK-912 to the control's +12V terminal. Connect the "-" terminal of the ELK-912 to the negative alarm output.



**Example 3:** Floodlight activates whenever control panel is in alarm



**Example 4:** ELK-912 used switch a high-current siren or bell from separate power supply.