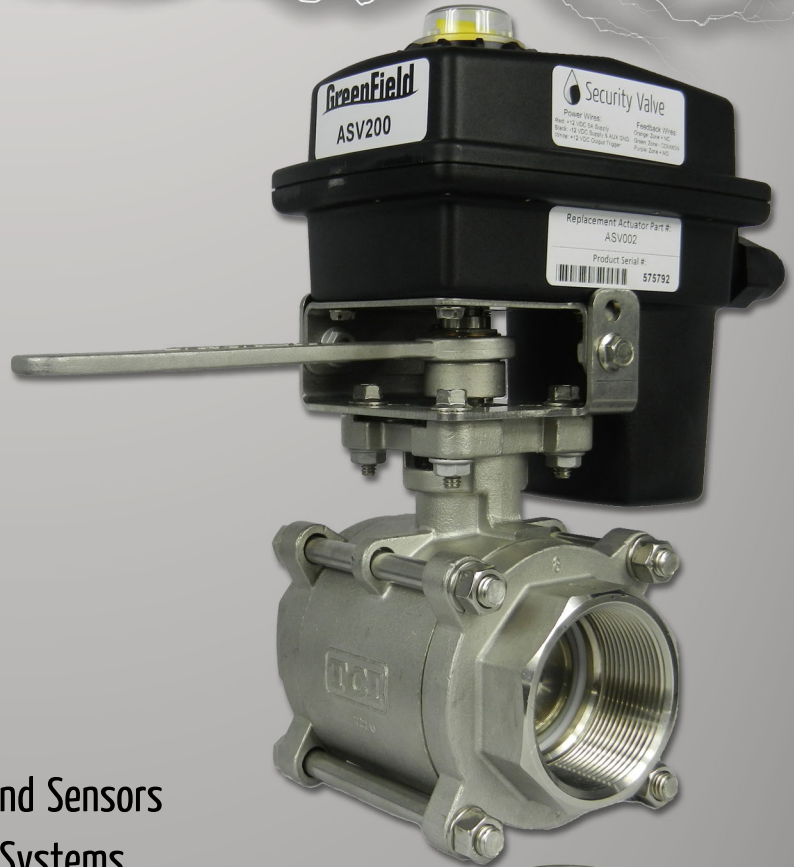
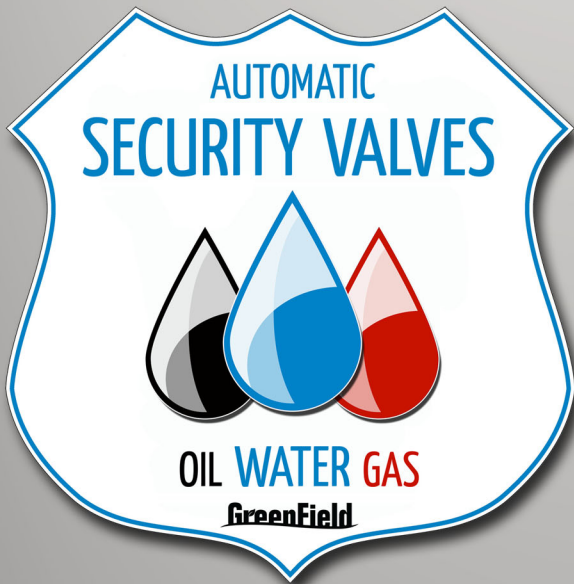


# AUTOMATIC SECURITY VALVES



## Key Features:

- Integrate with Existing Control Systems and Sensors
- Compatible with Major Brands of Security Systems
- Approved for Drinking Water in ALL 50 States
- Significantly Reduce Water Damage
- Protect Your Home and Business
- Possible Insurance Discounts
- Provides Peace of Mind

## Valve Certifications:

- Uniform Plumbing Code (UPC)
- NSF/ANSI 61
- Low Lead



Manufactured  
in the U.S.A



www.GreenFieldDirect.com  
800-246-5325

**GreenField**  
DIRECT, LLC

# AUTOMATIC SECURITY VALVES

## SPEC SHEET

Part Number	Size (Inch)	Cycle Time	Pressure Rating	Flow GPM*	Diagram Number	A	B	C	D
ASV050	1/2	0.8 sec.	1,000	30	1	4.0"	5.1"	8.3"	3.0"
ASV075	3/4	0.8 sec.	1,000	51	1	4.0"	5.1"	8.3"	3.2"
ASV100	1	0.8 sec.	600	68	2	5.0"	5.1"	7.8"	3.1"
ASV150	1 1/2	3.0 sec.	1,000	170	3	4.3"	7.1"	9.4"	5.4"
ASV200	2	3.0 sec.	1,000	376	3	4.3"	7.1"	9.4"	5.4"

\* GPM at 1 PSI drop, water

### Actuator Specs:

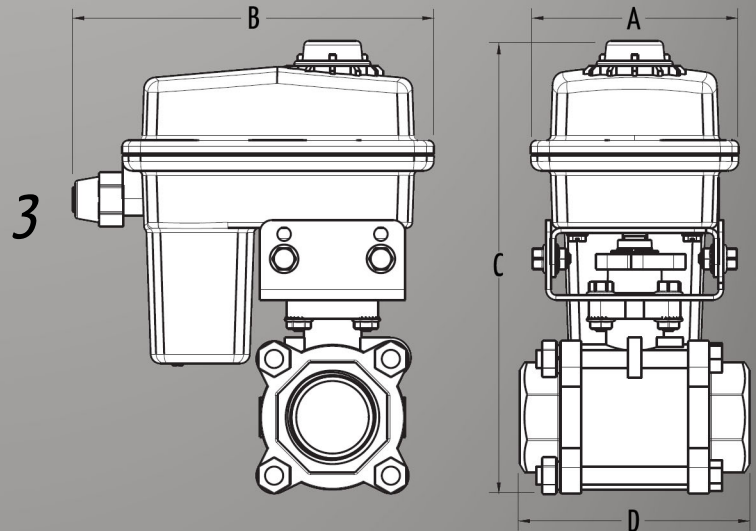
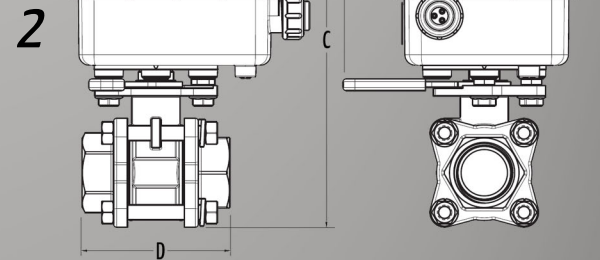
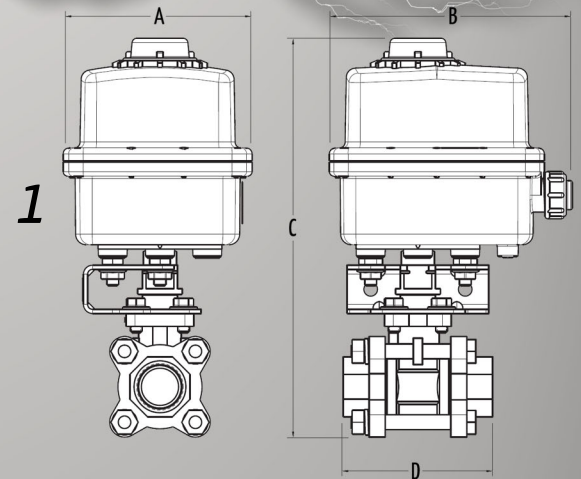
- Actuator housing rated to NEMA 6P (waterproof) and NEMA 7D (ignition proof)
- PS100 is the recommended power supply for ALL Automatic Security Valves
- Actuator provides feedback when the valve is open or closed
- Power requirements are 12/24 volt DC or 24 volt AC
- Can be installed outside

### Valve Specs:

- 316 stainless steel, 3-piece construction, includes: body, ball, & stem
- Equipped with a manual handle for emergency override
- All valves are pressure rated at 70° F
- Full port valves for maximum flow
- Threads are FNPT

### Valve Certifications:

- Uniform Plumbing Code (UPC)
- NSF/ANSI 61
- Low Lead



Manufactured  
in the U.S.A



800-246-5325

14015 238th St.

Greenwood, NE 68366 USA

www.GreenFieldDirect.com

info@GreenFieldDirect.com

**GreenField**  
DIRECT, LLC