

TPR-120 – Three Phase Repeater



Product Overview

The TPR-120 is designed to deliver all the benefits of UPB to 120/208V 3 phase environments such as restaurants, apartment complexes, office buildings or across multiple electrical phases.



Model TPR-120

The TPR-120 Three-Phase Repeater is a small electronic device that enables communication between PulseWorx™ and other devices using the Universal Powerline Bus (UPB™) method of communication on a three-phase 120/208VAC Delta-Wye 60Hz power.

The Three-Phase Repeater will now bridge the communication gap between phases within multi-dwelling units, apartments, condominiums and light commercial office and restaurant facilities. Initially UPB™ communication was designed to work on a single phase powerline; the signals will not directly jump across all three phases of a 120/208V electrical system. The TPR now transfers any UPB™ multi-packet generated on a single phase and positions and repeats them properly onto all three phases of the powerline.

The TPR is simple to install and configure, just connect it to a standard 3 phase circuit breaker. The TPR is easily added to any UPB Network using UPStart Setup Software, which enables customization of the TPR's performance and the ability to run communication tests from the TPR to all devices in the network.

The TPR Three Phase Repeater is designed to be an integral part of PCS's PulseWorx™ Lighting Control System and it is also compatible with other UPB based devices.

Features

- **Improved Communication**
Automatic repetition of all multi-packet messaging transmissions across three-phase network
- **Adjustable Receive Sensitivity**
If powerline noise is severe the sensitivity can be adjusted from LOW to HIGH to enable the TPR to filter out most noise to ensure proper communication
- **Simple Installation**
Installs in standard 3-gang junction box or suitable enclosure near main electrical panel
- **Feedback**
Blue/red status LED for each phase of the powerline
- **Perfect For Retrofit**
Transmits signals over existing power wiring so there is no need for expensive hard wiring.
- **UPStart Configurable**
Use UPStart to add TPR to the network, perform communication tests, print reports, and adjust sensitivity
- **5-year Limited Warranty**
Backed by an industry leading Limited Warranty to be free from original defects in materials and workmanship for a period of five years from the date of purchase.



Perfect for restaurants, condominiums and apartments.

TPR-120 – Three Phase Repeater



Ordering Information

- Part Number
TPR-120

Installation

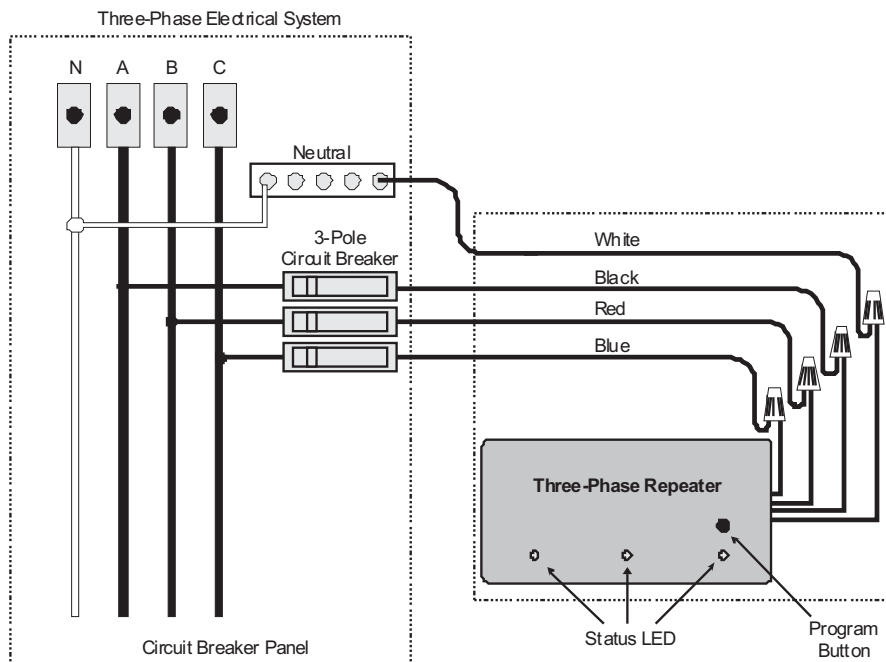
- The TPR-120 works best when installed as close to the main circuit breaker panel as possible.

Note: Installation must be carried out by a qualified electrician only. The main breaker must be turned off during installation and the repeater must be installed in a suitable junction box or equivalent enclosure. Installation must be carried out in accordance with all applicable codes and requirements, including, but not limited to, the National Electrical Code (NEC).

Additional Information

- Warranty
Five-Year Limited Warranty

Wiring Diagram



Colors

BLACK

Specifications

TPR-120

Dimensions	5 11/16" x 2 1/2" x 1 9/16" (14.4cm x 6.4cm x 3.9cm)
Power	120/208VAC 60 Hz Three Phase Delta-Wye
Weight	9.8 oz.
Mounting	Standard 3-gang junction box or enclosure
Operating Temp	-40 F to 104 F
UPC Code	811976011613