

ENFORCER®

High-Speed USB 2.0 1x4 Extender

DE-S104Q

Installation Manual



The ENFORCER High-Speed USB 2.0 1x4 Extender creates a one-to-one connection through CAT5e/6/7 network cables, transmitting signals up to 492' (150m). It supports four (4) High-Speed USB 2.0 ports and is compatible with most USB 2.0 devices making it a good choice for office, security, audio/video, and medical facilities.

- Supports four (4) High-Speed USB 2.0 inputs and one (1) High-Speed USB 2.0 output
- Compatible with Cat5e/6/7 network cables
- Transmission range up to 492' (150m) with Cat6/7 cable
- Plug and Play
- Extend transmission further with Gigabit switch support
- Hot-Plug USB (auto-detects USB type — High-Speed, Full-Speed, and Low-Speed)

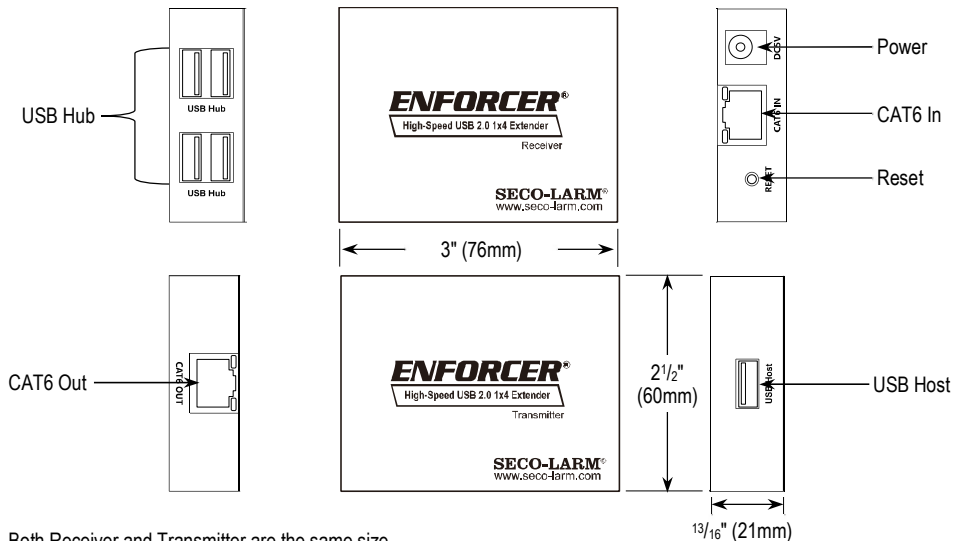
Parts List

1x Transmitter 1x Receiver 1x USB Cable 1x Power supply 1x Manual

Specifications

Compliance		USB 2.0
Maximum speed		480Mbps
Maximum range	CAT5e	Up to 328' (100m)
	CAT6/6A/7	Up to 492' (150m)
Switch extension		Supports Gigabit switches
USB Hot-Plug		Yes
USB-A	Transmitter	One (1) output port
	Receiver	Four (4) input ports
Cable		CAT5e, CAT6, CAT6A, CAT7
Power supply	Transmitter	Powered by device
	Receiver	1A@5VDC
Power consumption	Transmitter	≤2W
	Receiver	
Operating humidity		0~90% (non-condensing)
Operating temperature		-4°~140° F (-20°~60° C)
Dimensions		3"x13/16"x2 1/2" (76x21x60 mm)
Weight	Transmitter	4.3-oz (123g)
	Receiver	4.5-oz (128g)

Overview



Both Receiver and Transmitter are the same size.

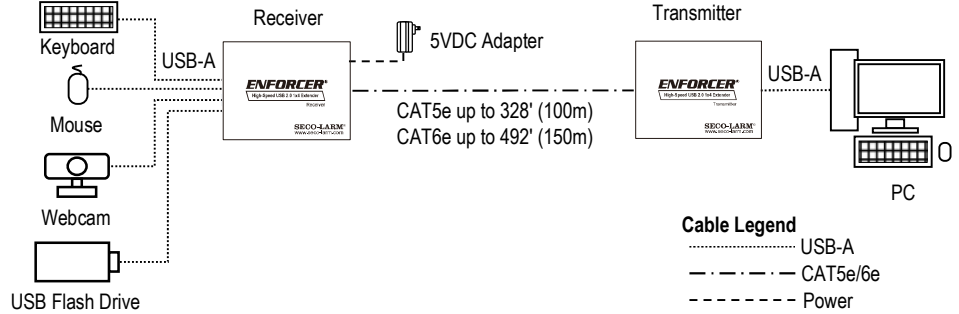
Installation

1. Connect the USB cable to the transmitter and the device you desire USB extension for.
2. Connect the network cable (CAT5e/6/6A/7) to the transmitter and receiver.
3. Plug the power supply into the receiver.

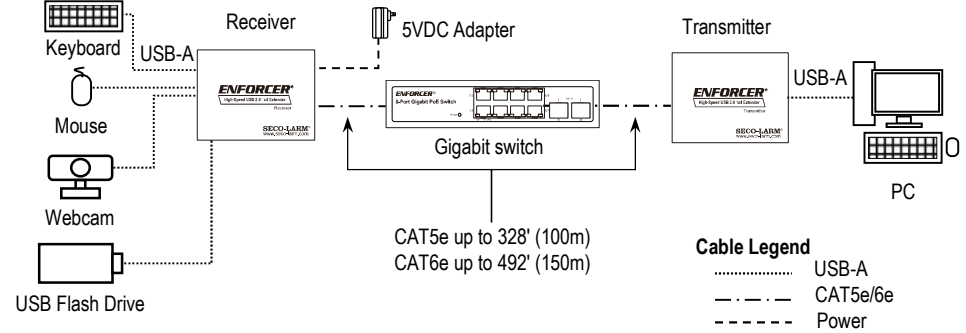
The four (4) ports on the receiver are now operational and ready for use.

Wiring Diagram

One-to-one connection



Switch relay connection



Troubleshooting

No response when device is connected.

- Check that the USB drivers are properly installed and updated.
- Check that the network cable is properly connected.
- Reset the receiver by pushing the Reset button
- High-powered USB devices require an external power source.

Receiver is unstable when connected to external web camera

FCC COMPLIANCE STATEMENT

THIS DEVICE COMPLIES WITH PART 15 OF THE FCC RULES. OPERATION IS SUBJECT TO THE FOLLOWING TWO CONDITIONS: (1) THIS DEVICE MAY NOT CAUSE HARMFUL INTERFERENCE AND (2) THIS DEVICE MUST ACCEPT ANY INTERFERENCE RECEIVED, INCLUDING INTERFERENCE THAT MAY CAUSE UNDESIRE OPERATION.

Notice: The changes or modifications not expressly approved by the party responsible for compliance could void the user's authority to operate the equipment.

IMPORTANT NOTE: To comply with the FCC RF exposure compliance requirements, no change to the antenna or the device is permitted. Any change to the antenna or the device could result in the device exceeding the RF exposure requirements and void user's authority to operate the device.

IMPORTANT: Users and installers of this product are responsible for ensuring that the installation and configuration of this product complies with all national, state, and local laws and codes. SECO-LARM will not be held responsible for the use of this product in violation of any current laws or codes.

California Proposition 65 Warning: These products may contain chemicals which are known to the State of California to cause cancer and birth defects or other reproductive harm. For more information, go to www.P65Warnings.ca.gov.

WARRANTY: This SECO-LARM product is warranted against defects in material and workmanship while used in normal service for one (1) year from the date of sale to the original customer. SECO-LARM's obligation is limited to the repair or replacement of any defective part if the unit is returned, transportation prepaid, to SECO-LARM. This Warranty is void if damage is caused by or attributed to acts of God, physical or electrical misuse or abuse, neglect, repair or alteration, improper or abnormal usage, or faulty installation, or if for any other reason SECO-LARM determines that such equipment is not operating properly as a result of causes other than defects in material and workmanship. The sole obligation of SECO-LARM and the purchaser's exclusive remedy, shall be limited to the replacement or repair only, at SECO-LARM's option. In no event shall SECO-LARM be liable for any special, collateral, incidental, or consequential personal or property damage of any kind to the purchaser or anyone else.

NOTICE: The SECO-LARM policy is one of continual development and improvement. For that reason, SECO-LARM reserves the right to change specifications without notice. SECO-LARM is also not responsible for misprints. All trademarks are the property of SECO-LARM U.S.A., Inc. or their respective owners. Copyright © 2022 SECO-LARM U.S.A., Inc. All rights reserved.

SECO-LARM® U.S.A., Inc.

16842 Millikan Avenue, Irvine, CA 92606
Phone: (949) 261-2999 | (800) 662-0800

Website: www.seco-larm.com
Email: sales@seco-larm.com

 PICLN3

ML_DE-S104Q_221027.docx