

High-Speed USB 2.0 1x4 Extender

DE-S104Q Range: Up to 492' (150m)

The ENFORCER High-Speed USB 2.0 1x4 Extender creates a one-to-one connection through CAT5e/6/7 network cables, transmitting signals up to 492ft (150m). It supports four (4) High-Speed USB 2.0 ports and is compatible with most USB 2.0 devices making it a good choice for office, security, audio/video, and medical facilities.



Features

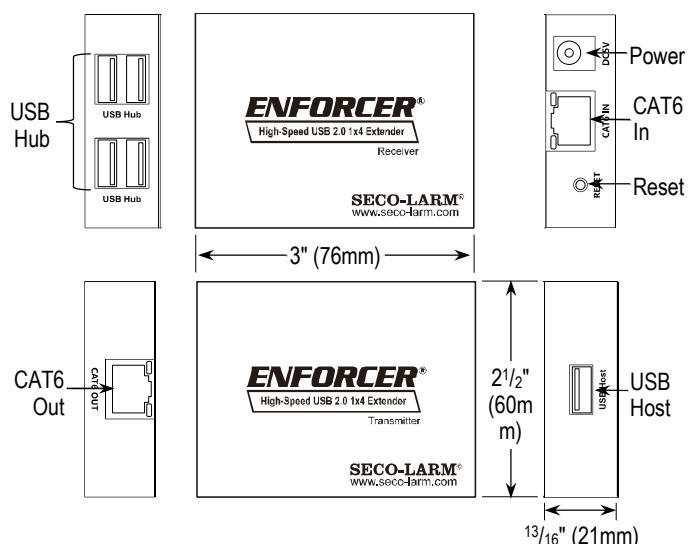
- Supports four (4) High-Speed USB 2.0 inputs and one (1) High-Speed USB 2.0 output
- Compatible with Cat5e/6/7 network cables
- Transmission range up to 492' (150m) with Cat6/7 cable
- Plug and Play
- Extend transmission further with Gigabit switch support
- Hot-Plug USB (auto-detects USB type — High-Speed, Full-Speed, and Low-Speed)



Specifications

Compliance	USB 2.0	
Maximum speed	480Mbps	
Maximum range	Cat5e	Up to 328' (100m)
	Cat6/6A/7	Up to 492' (150m)
Switch extension	Supports Gigabit switches	
USB Hot-plug	Yes	
USB-A	Transmitter	One (1) output port
	Receiver	Four (4) input ports
Cable	CAT5e, CAT6, CAT6A, CAT7	
Power supply	Transmitter	Powered by device
	Receiver	1A@5VDC
Power consumption	Transmitter	≤2W
	Receiver	
Operating humidity	0~90% (non-condensing)	
Operating temperature	-4°~140° F (-20°~60° C)	
Dimensions	3"x13/16"x2 1/2" (76x21x60 mm)	
Weight	Transmitter	4.3-oz (123g)
	Receiver	4.5-oz (128g)

Overview



Both Receiver and Transmitter are the same size.

SECO-LARM® U.S.A., Inc.

16842 Millikan Avenue, Irvine, CA 92606

Phone: (949) 261-2999 | (800) 662-0800 Fax: (949) 261-7326

Website: www.seco-larm.com Email: sales@seco-larm.com



Copyright © 2023 SECO-LARM U.S.A., Inc. All rights reserved.

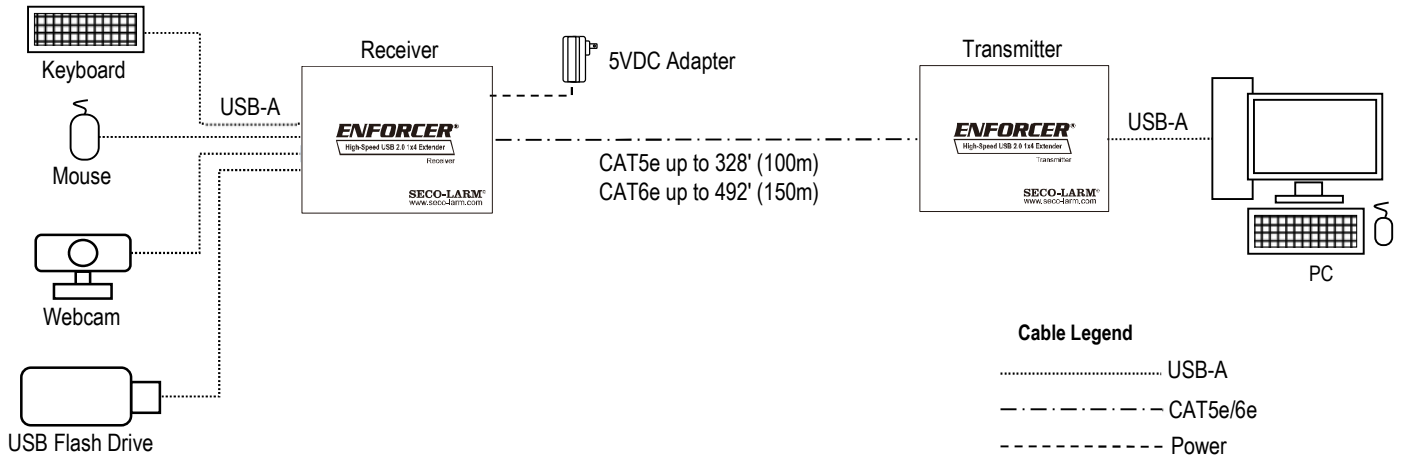
All trademarks are the property of SECO-LARM U.S.A., Inc. or their respective owners. The SECO-LARM policy is one of continual development. For that reason, SECO-LARM reserves the right to change prices and specifications without notice. SECO-LARM is not responsible for misprints.

SECO-LARM® ENFORCER® CRIMEBUSTER® CBA® SLI®

PI_DE-S104Q_230126.docx

Sample Applications

One-to-one connection



Switch Relay Connection

