

IP 4K (8MP) 2.8mm Turret Camera

EV-N2806-2W4WQ 2.8mm Lens

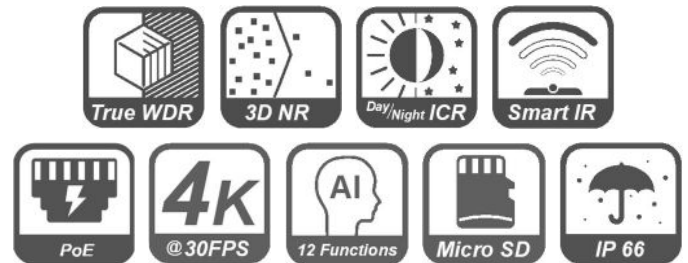


The ENFORCER fixed turret camera offers 4K-resolution video and advanced technology in a compact and accessible package. The camera features H.265 video compression, reducing bandwidth and storage requirements without giving up video quality. With True Wide Dynamic Range (WDR), Digital Noise Reduction (3DNR) and Day/Night (ICR) capabilities the camera provides excellent picture quality.



Features

- 1/2.8" 8MP Sony CMOS Sensor
- 30FPS@4K, 2160p (3840x2160)
- 2.8mm Lens
- Triple Stream Encoding
- H.265, H.264 and MJPEG
- True Wide Dynamic Range (WDR)
- Digital Noise Reduction (3DNR)
- True Day & Night Function ICR Module
- ICR Sensitivity adjustment
- Corridor mode
- Operating temperature: -40°~131° F (-40°~55° C)
- IP66 Weatherproof
- IR Range 98' (30m)
- Smart IRs adjust IR strength to conditions
- MicroSD slot (512GB max)
- PoE (IEEE 802.3af), 12VDC
- ONVIF® profiles G, S, and T conformant



AI Functions

- Face detection
- Face recognition
- Human & vehicle detection
- Perimeter intrusion detection
- Line crossing detection
- Stationary object detection
- Cross counting
- Heat map
- Crowd density detection
- Queue length detection
- License plate detection
- License plate recognition

ONVIF is a trademark of ONVIF, Inc.



SECO-LARM® U.S.A., Inc.

16842 Millikan Avenue, Irvine, CA 92606

Phone: (949) 261-2999 | (800) 662-0800 Fax: (949) 261-7326

Website: www.seco-larm.com Email: sales@seco-larm.com



Copyright © 2023 SECO-LARM U.S.A., Inc. All rights reserved.
All trademarks are the property of SECO-LARM U.S.A., Inc. or their respective owners.
The SECO-LARM policy is one of continual development. For that reason, SECO-LARM reserves the right to change prices and specifications without notice. SECO-LARM is not responsible for misprints.
SECO-LARM® ENFORCER® CRIMEBUSTER® CBA® SLI®

PI_EV-N2806-2W4WQ_221219.docx

Camera

| | |
|--------------------------|---|
| Image sensor | 1/2.8" 8MP Sony CMOS |
| Effective pixels | 3840(H)x2160(V) |
| Scanning system | Progressive scan |
| Electronic shutter speed | Auto, Manual; 1/5 s to 1/20,000 s |
| Minimum illumination | Color: 0.005Lux at F1.2 (AGC on) 1Lux with IR on |
| IR Distance | Distance up to 98' (30m) |
| IR On/Off control | Auto, manual |
| IR LEDs | 2x850nm LEDS |

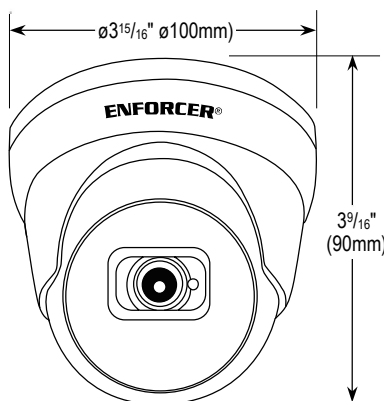
Lens

| | |
|------------------|---|
| Lens type | Fixed |
| Focal length | 2.8mm |
| Maximum aperture | F1.6 |
| Field of view | Horizontal: 105° Vertical: 56° Diagonal: 126° |

Video

| | |
|----------------------|---|
| Compression | H.265, H.264 |
| Streaming capability | Triple (3) streams |
| Resolution | 2880x1620, 2560x1440, 2304x1296, 1080p (1920x1080), 720p (1280x720) |
| Bit rate control | CBR/VBR |
| Bit rate | Main stream: 256 to 16384 Kbps Sub stream: 128 to 4096 Kbps Mobile stream: 8 to 1536 Kbps |
| Backlight | Disable (default) BLC, HLC, True WDR |
| White balance | Auto |
| Gain control | Auto |
| Noise reduction | 3D DNR |
| Smart IR | Support |
| Image rotation | 0°, 180° |
| Mirror | Disable, vertical, horizontal, all |
| Privacy masking | Off, on (4 areas, rectangle) |
| Region of interest | Support |

Dimensions



Network

| | |
|------------------|---|
| Ethernet | RJ45 |
| Protocol | TCP/IP, HTTP, DHCP, DNS, DDNS, RTP, RTSP, SMTP, NTP, UPnP, SNMP, HTTPS, FTP |
| Interoperability | ONVIF® profiles G, S, and T conformant |
| Auto register | Support |
| Streaming method | Multicast |
| Max. user access | 7 |
| Web viewer | IE, Chrome, Firefox, Edge |
| On-board storage | Built in memory slot Supports up to 512GB MicroSD/SDHC/SDXC |

Certifications

| | |
|----------------|---------------------------------|
| Certifications | CE, FCC, RoHS |
| ONVIF® | Profiles G, S, and T conformant |
| NDAA | Compliant |

Electrical

| | |
|-------------------|--------------------------------------|
| Power supply | 12VDC, or PoE (IEEE 802.3af Class 0) |
| Power consumption | < 6W |

Environmental

| | |
|----------------------|--|
| Operating conditions | -40°~131° F (-40°~55° C) Less Than 95% RH |
| Storage conditions | -40°~140° F (-40°~60° C) |
| IP Rating | IP66 Weatherproof |

Construction

| | |
|------------|-----------------------------------|
| Casting | Metal |
| Dimensions | 3 15/16" x 3 9/16" (100x90 mm) |
| Weight | 13.05-oz (370g) |

Accessories

Junction Box



EV-SSWQ