

4K ENHANCED HDMI Long-Range Extender

MVE-AH1H1-42YQ Range: Up to 492ft (150m)

The ENFORCER 4K ENHANCED HDMI Long-Range Extender extends the range of HDMI signals using an active transmitter and receiver to send video and audio, RS-232, and bi-directional IR over a single Cat5e/6 cable. It can send 1080p signals up to 492ft (150m) between the two units with zero signal loss and 4K2K/UHD HDMI signals up to 394ft (120m) using a single power supply on either end.



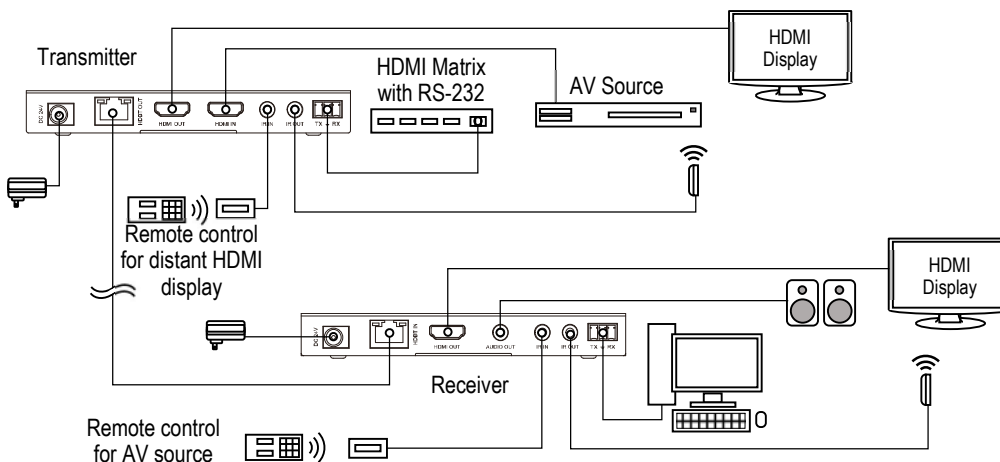
Features

- Extends 1080p up to 492ft (150m) and 4K2K up to 394ft (120m)
- Supports resolutions from 480i to 4K2K/UHD
- Supports 18Gbps video bandwidth
- Plug and play operation – comes as a complete set
- HDCP 2.2 / HDCP 1.4 and DVI 1.0 compliant
- Transmitter includes an HDMI loop output
- Analog stereo output on receiver
- Bi-directional IR, RS-232, and CEC pass-through
- Supports HDF, HDR10+, Dolby Vision, and HLG
- Includes one 24VDC power supply – set can be powered at either the transmitter or receiver

ENHANCED



Sample Application



NOTES:

- Only one power supply is used, either on the transmitter or receiver.
- User either the IR IN on the transmitter and IR OUT on the receiver to control the distant HDMI display from the source, or the IR IN on the receiver and IR OUT on the transmitter to control the source from the distant display area.

The terms HDMI, HDMI High-Definition Multimedia Interface, HDMI trade dress and the HDMI Logos are trademarks or registered trademarks of HDMI Licensing Administrator, Inc

SECO-LARM® U.S.A., Inc.

16842 Millikan Avenue, Irvine, CA 92606

Phone: (949) 261-2999 | (800) 662-0800 Fax: (949) 261-7326

Website: www.seco-larm.com Email: sales@seco-larm.com



Copyright © 2023 SECO-LARM U.S.A., Inc. All rights reserved.

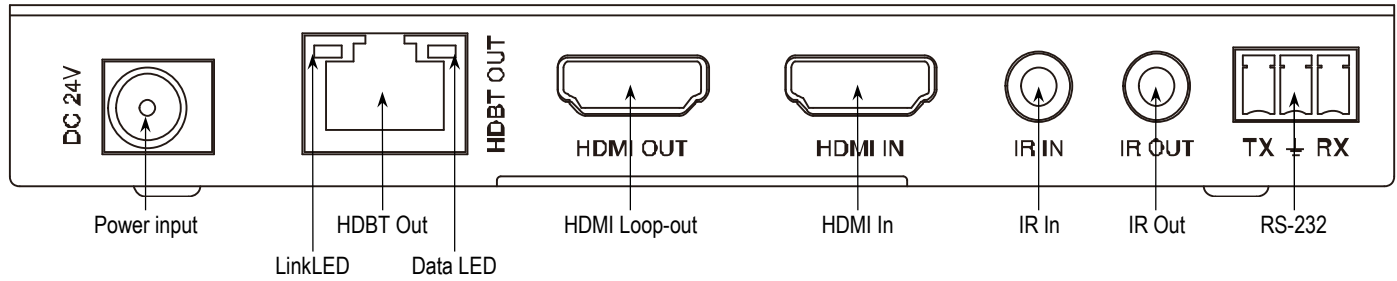
All trademarks are the property of SECO-LARM U.S.A., Inc. or their respective owners. The SECO-LARM policy is one of continual development. For that reason, SECO-LARM reserves the right to change prices and specifications without notice. SECO-LARM is not responsible for misprints.

SECO-LARM® ENFORCER® CRIMEBUSTER® CBA® SLI®

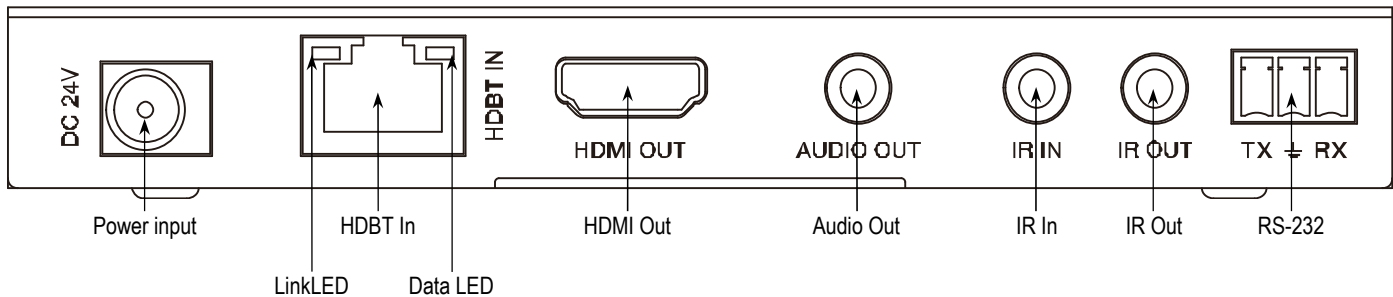
PL_MVE-AH1H1-42YQ_230214.docx

Overview

Transmitter



Receiver



Specifications

Input video signal	3.3V	
Input DDC signal	5Vp-p (TTL)	
Maximum single link range	4K2K@60Hz	
Deep color	48-bit	
Video formats supported	All HDMI 3D, HDCP 2.2	
Audio formats supported	LPCM 2.0/2.1/5.1/6.1/7.1, Dolby Digital, Dolby TrueHD, Dolby Digital Plus (DD+), DTS-ES, DTS HD Master, DTS HD-HRA, DTS-X	
L/R Audio formats	PCM 2.0	
Output video	HDMI	
Resolutions supported	4K2K@50/60Hz, 4K2K@30Hz, 1080p, 1080i, 720p, 720i, 480p, 480i	
Range	1080p	492ft (150m)
	4K2K	394ft (120m)
Video amplifier bandwidth	18Gbps	
Video input connector	HDMI Type A 19-pin female	
Max. HDMI cable length (IN/OUT)	4K@60Hz, 16' (5m) / 4K@30Hz, 32' (10m) / 1080p@60Hz, 50' (15m)	
Cat5e/6 wiring standard	T568-B	
IR Pass-through	20~60kHz	
Operating voltage	24VDC	
Power supply	1A@24VDC (1 adapter)	
ESD protection (human body model)	±8kV (air-gap discharge), ±4kV (contact discharge)	
Current draw (both units total)	390mA	
Operating humidity	20~90% (non-condensing)	
Operating temperature	32°~104° F (0°~40° C)	
Dimensions (transmitter and receiver)	5 1/2"x 1 1/16"x 2 9/16" (140x18x65 mm)	
Weight	Transmitter	5.6-oz (160g)
	Receiver	5.5-oz (155g)