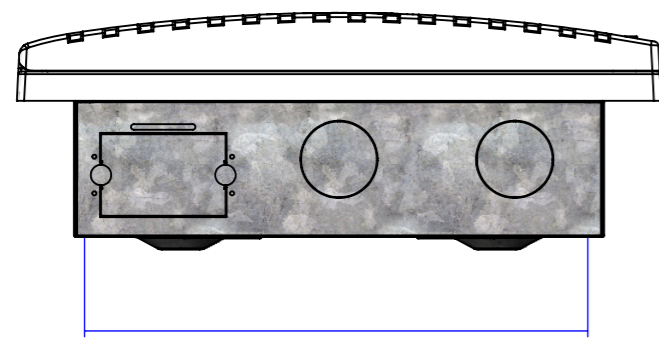
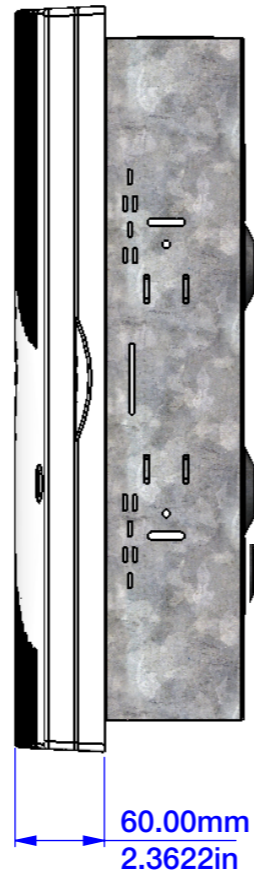
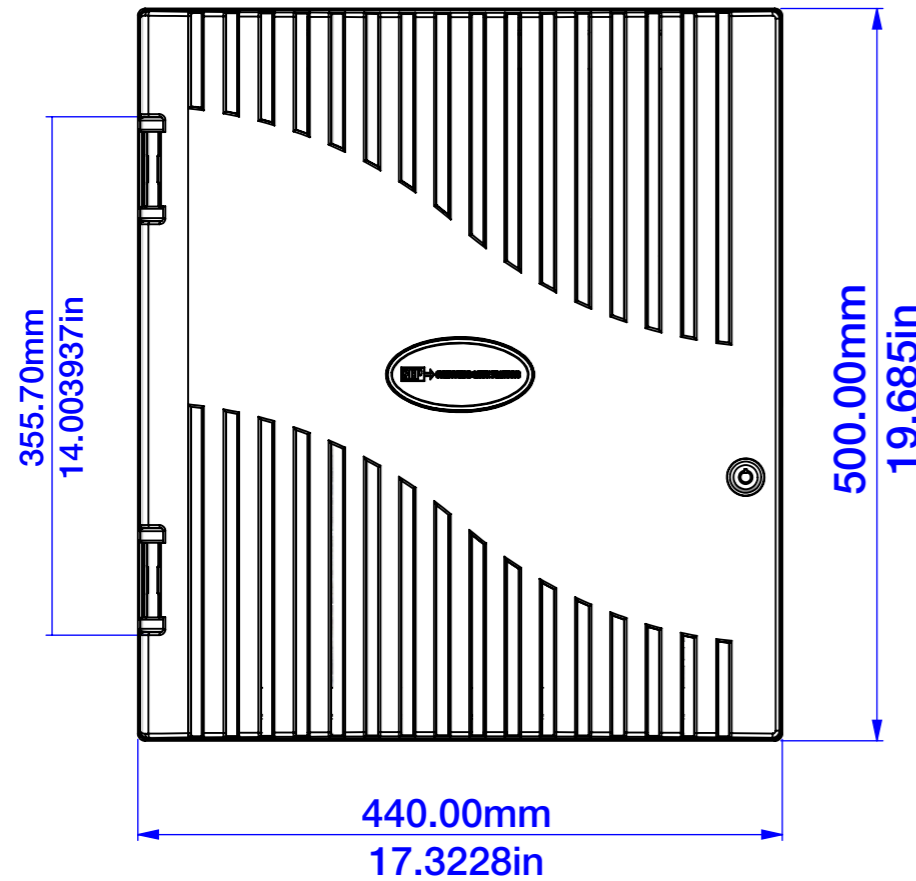
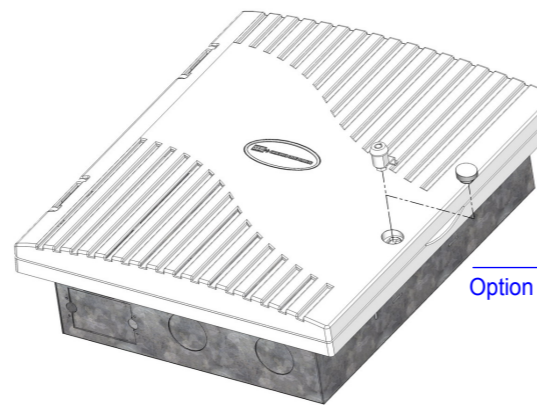


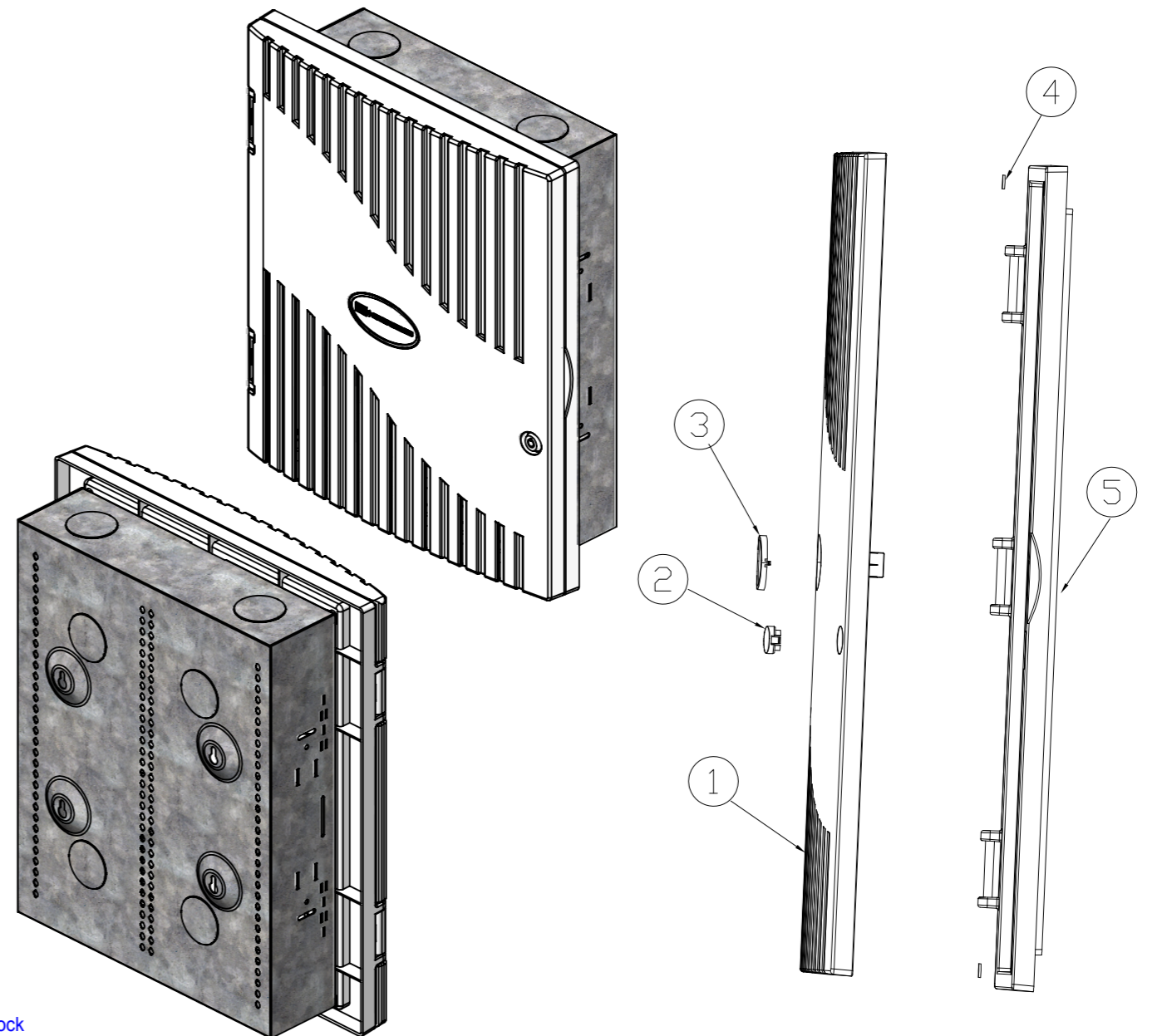
Revision History				
Zone	Rev.	Description	Date	Approved
-	-	-	-	-
-	-	-	-	-
-	-	-	-	-



Metal Enclosure Sold Separate
(HCC-18-BOX)



Option of Key Lock



Mechanical:

- 1: Top Cover (Snap on Frame) **ABS ANC100UL-945VA**
- 2: Lock Cap - **ABS ANC100UL-945VA**
- 3: Logo (Snap on) - **ABS ANC100UL-945VA**
- 4: Rubber (Screw Hole Cover) - **Silicone**
- 5: Frame w/Hinges - **ABS ANC100UL-945VA**

A3		Third Angle System			Thickness - mm	Material	ABS	Project	-	P/N: HCC-18-HPEC
Table		Scale	-	Unit	mm	Color	-	Heat Treatment	-	
Range	Tolerance	Sheet	1 / 1	Date	2015.09.03	Finish	-	Coating / E-Plated	-	
300-500	±0.25M/M	Approved	-	Checked	-	Designed	-	Texture	-	
120-300	±0.20M/M									
50-120	±0.15M/M									
10-50	±0.10M/M									
0-10	±0.05M/M									