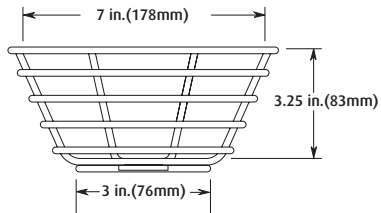
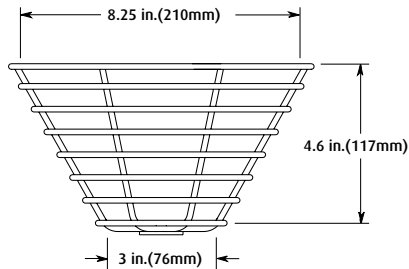


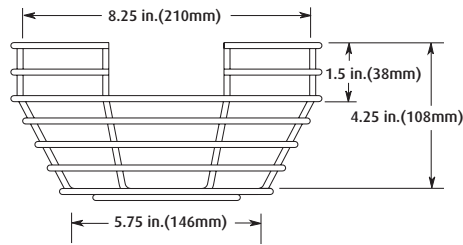
**STI-9601
STI-9601-SS**



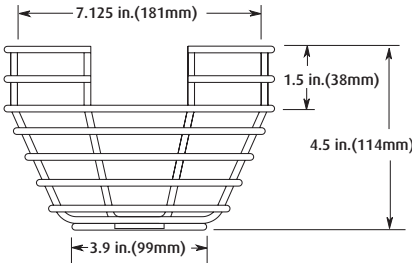
**STI-9604
STI-9604-SS**



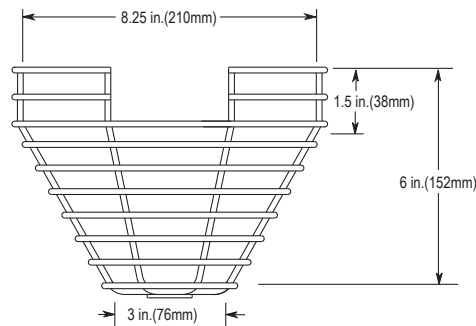
**STI-9609
STI-9609-SS**



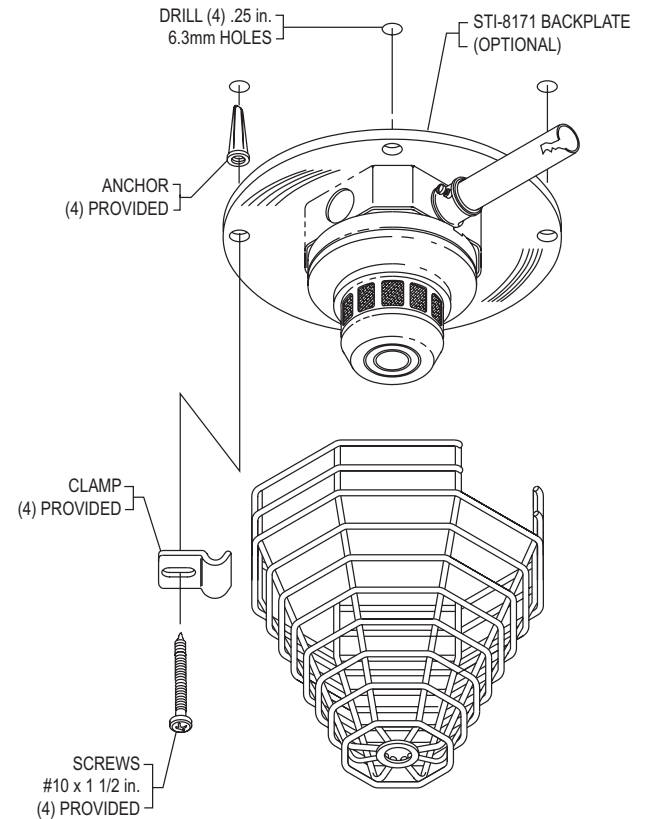
STI-9602



**STI-9605
STI-9605-SS**



STI-9610



IMPORTANT

Do not attempt to install the wire guard until the smoke sensor has been tested and in proper working order according to the manufacturer's installation instructions furnished with the sensor unit.

INSTALLATION

- Center the wire guard over existing smoke detector.
- Mark and drill (4) mounting holes (see pictorial for size). Insert anchor into ceiling.
NOTE: If lag shields and lag bolts are used, make sure anchor is flush with surface. Position guard, insert lag bolts and tighten. Length of bolt should be selected to assure full thread engagement in anchor.
- STI-8170 BACKPLATE - STI recommends the use of this plate on all unstable mounting surfaces.
- Insert screws through clamps and backplate (if used) and screw into anchors; but do not tighten.
- Position guard over detector, slide clamps onto top wire of guard and tighten screws.

SERVICE

- Periodic cleaning of the smoke detector is required so dust and other matter do not accumulate.
- To service the smoke sensor unit, loosen but do not remove the (4) screws rotate clamps and carefully remove wire guard.

OPTIONAL ACCESSORIES

KIT-82 #8 x 1 1/2" spanner tamper resistant stainless steel screw kit.
KIT-19038 #8 spanner bit with 5/16" hex drive.
STI-8170 for use with STI-9601, STI-9602, STI-9609 or STI-9610 cages.

APPROVALS

STI-9601, STI-9602, STI-9604, STI-9605
UL Listed No. S3504 for use with Listed low profile smoke detectors

STI-9609, STI-9610
UL Listed No. S3504 for use with Listed high profile smoke detectors

Three year warranty or a one year limited warranty (from date of purchase) on most products.
See website for details. Electronic warranty form at www.sti-usa.com/wc14.



STI CEILING MOUNTED SMOKE DETECTOR GUARDS

All specifications and information shown were current as of publication and are subject to change without notice.



ADDITIONAL WIRE GUARDS AVAILABLE

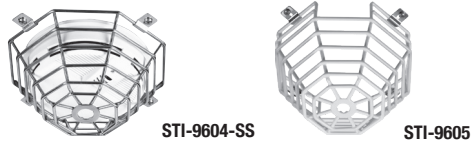
Visit www.sti-usa.com/w1 for complete details

All dimensions are approximate

SMOKE DETECTOR GUARDS

STI-9601	8.25 x 2.75"
STI-9601-SS	8.25 x 2.75"
STI-9602	8.25 x 4.25"
STI-9604	7 x 3.25"
STI-9604-SS	7 x 3.25"
STI-9605	7.125 x 4.5"
STI-9605-SS	7.125 x 4.5"
STI-9609	8.25 x 4.6"
STI-9609-SS	8.25 x 4.6"

STI-9610	8.25 x 6"
STI-9712	6.87 x 4.53"
STI-9713	6.87 x 2.50"



BEAM SMOKE DETECTORS

STI-9623	7.75 x 6 x 6"
STI-9624	8.875 x 5.5 x 4.75"
STI-9706	10.82 x 9.32 x 4"
STI-9707	11 x 9.62 x 5.5"
STI-9840	6.61 x 5.78"
STI-9841	11.52 x 10 x 3.58"
STI-9845	6.7 x 9.2 x 4.07"
STI-9846	7.6 x 11.6 x 5.6"



PIR GUARDS

STI-9618	4.62 x 5.37 x 3"
STI-9619	7.75 x 5.37 x 5.62"
STI-9620	6.25 x 4 x 2.25"
STI-9621	7 x 5.75 x 4.50"
STI-9622	8.75 x 4 x 3.75"



CLOCK/BELL WIRE CAGES

STI-9631-R	10.5" Diameter - Red
STI-9635	14.25" Diameter
STI-9636	20.75" Diameter
STI-9637	26.75" Diameter



EXIT SIGN WIRE CAGES

STI-9640	10.5 x 13.75 x 2.75"
STI-9740	15.5 x 20.5 x 6"
STI-9742	15.59 x 16.09 x 3.30"



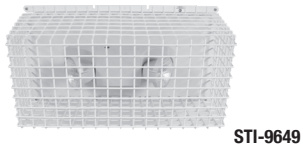
BEACON & SOUNDER CAGES

STI-9614	7.9 x 6"
STI-9615	3.7 x 3.5"
STI-9617	5.9 x 4.9"
STI-9664	3.86 x 6.18"
STI-9665	7 x 8.43"
STI-9750	9.6 x 2.8"
STI-9754	8.4 x 9.2 x 3.5"
STI-9760	8.5 x 3.2"
STI-9761	8.5 x 5.7"
STI-9762	6.2 x 4.75 x 2.5"
STI-9763	6.2 x 4.75 x 4"
STI-9764	6.6 x 6 x 2.5"
STI-9765	6.6 x 6 x 4.4"
STI-9766	8.2 x 6.75 x 2.9"
STI-9767	8.2 x 6.75 x 5"



EMERGENCY LIGHT CAGES

STI-9641	19.7 x 14.6 x 4"
STI-9644	8.7 x 17.7 x 5"
STI-9645	13.8 x 21.7 x 5.9"
STI-9649	10.75 x 24.75 x 11.25"
STI-9703	5 x 13.5 x 4"



MISCELLANEOUS WIRE CAGES

STI-9705	7.4 x 6.15 x 3.39"	STI-9731	12 x 12 x 8"
STI-9708	7.49 x 6.74 x 6.09"	STI-9732	18 x 15 x 13"
STI-9711	8.26 x 8.26 x 3.54"	STI-9880	10.45 x 62.75 x 6.2"
STI-9714	8.55 x 8.55 x 6.23"	STI-9881	10.45 x 98.25 x 6.2"
STI-9717	6.1 x 9.3 x 2.4"	STI-101075	10 x 10 x (63 to 75)"
STI-9720	6.1 x 9.3 x 4.9"	STI-241416	33.25 x 23.29 x 16"
STI-9729	7 x 7 x 7"	STI-282121	39.06 x 32.01 x 21.29"
STI-9730	12 x 12 x 12"		

