



## Interconnected Locksets

---

ANSI/BHMA Grade 2 Certified  
Mechanical | Electronic





# Introduction

## TABLE OF CONTENTS

**YH Collection Mechanical Interconnected Locksets**

Infographic .....3

Specifications .....4

Functions .....5

Finishes .....5

How to Order .....6

Dimensions.....7

Exploded View .....7

Sample Architectural Specification.....8

**Assure Lock Interconnected Locksets**

Infographic .....9

Specifications .....10

Functions .....11

Finishes .....11

How to Order .....12

Dimensions.....13

Exploded View .....13

Sample Architectural Specification.....14

**Interconnected Lockset Accessories**

Levers .....15

Cylinders .....16

Latchbolts .....17

Strikes .....19



Yale Real Living® Assure Lock™ Interconnected electronic locksets combine Assure Lock™ electronic deadbolts with the convenience of a passage lever assortment for panic proof egress. From the inside, both the latchbolt and the deadbolt are retracted simultaneously in a single motion for a quick and easy exit.

Select from the Assure Lock™ Interconnected Push Button, Touchscreen, or Key Free for convenient levels of effortless access. This is a significant benefit to multi-family and multi-unit projects commonly requiring re-keying. Push button and touchscreen deadbolts with key override offer keyless options as well as keys for multi-family environments. Go totally key free with an Assure Lock key free model and eliminate the hassle of re-keying.



The Yale YH Collection™ mechanical interconnected locksets combine our integrated leverset with the added safety and security of a deadbolt. From the inside, both the latchbolt and the deadbolt are retracted simultaneously in a single motion for quick and easy egress.

The YH Collection™ face-removable and interchangeable core design provide easy access to the cylinder without having to remove the deadbolt from the door. This is a significant benefit to multi-family projects commonly requiring re-keying.

### Community Service

Yale is Habitat for Humanity's national lockset partner and has helped families build strength, stability and self-reliance since 2001.





# YH Collection™ Mechanical Interconnected Locksets





# YH Collection™ Mechanical Interconnected Locksets

## FEATURES

- 3 functions, 12 lever designs and 5 finishes
- Field adjustable from 4" to 5-1/2" center to center
- ANSI/BHMA A156.12 Grade 2 certified
- UL/cUL listed for 90 minute fire doors
- Available with fixed core, SFIC or LFIC cylinders
- Field reversible handing
- Three year warranty



Passage Lever with Fixed Core Cylinder Shown

## SPECIFICATIONS

Door Specs:	2-1/8" (54mm) face bore, 1" (25mm) edge bore, 4" (102mm) or 5-1/2" (140mm) center to center
Backset:	2-3/8" (60mm) or 2-3/4" (70mm)
Door Thickness:	1-3/8" (35mm) to 1-3/4" (44mm)
Handing:	Field reversible
Latch Faceplate:	1" (25mm) W x 2-1/4" (57mm) H; radius corner standard, square corner available to order
Strike:	2-1/4" (57mm) Full Lip Lockset and 1-1/8" (29mm) W x 2-3/4" (70mm) H Deadbolt; Radius Corner standard, other strikes available to order.
Cylinder:	KW-1 compatible standard, other cylinders/keyways available to order
Keying:	KD (Keyed Different) standard, master keying available to order
Packaging:	Box pack
ANSI/BHMA:	Certified ANSI/BHMA A156.12, Grade 2
UL/cUL:	Listed for 90 minute fire doors
Warranty:	Three years



## APPLICATIONS

- ▶ Multi-family residences
- ▶ Assisted living facilities
- ▶ Public restrooms
- ▶ Offices and small business applications



# YH Collection™ Mechanical Interconnected Locksets

## FUNCTIONS



YR852	YR853	YR872
<p><b>Passage</b></p> <ul style="list-style-type: none"> <li>• Single point lock.</li> <li>• Latchbolt is operated by either lever at all times.</li> <li>• Deadbolt activated by key on outside; inside by T-turn.</li> <li>• Interior lever retracts latch and deadbolt simultaneously.</li> </ul>	<p><b>Privacy with Deadbolt Indicator</b></p> <ul style="list-style-type: none"> <li>• Single point lock.</li> <li>• Latchbolt is operated by either lever at all times.</li> <li>• Deadbolt activated by emergency key on outside; inside by T-turn.</li> <li>• Occupancy indicator displays “In Use” when deadbolt thrown or “Vacant” when deadbolt retracted.</li> <li>• Interior lever retracts latch and deadbolt simultaneously.</li> </ul>	<p><b>Entry</b></p> <ul style="list-style-type: none"> <li>• Dual point lock outside.</li> <li>• Deadlocking latchbolt.</li> <li>• Either lever operates latchbolt (except when outside lever is locked by key outside or turn button inside).</li> <li>• Outside lever retained in locked position by rotating turn button 90° to a horizontal position; not released until turn button is manually returned to the vertical position.</li> <li>• Key in outside lever unlocks turn button inside.</li> <li>• Deadbolt activated by key on outside; inside by T-turn.</li> <li>• Interior lever retracts latch and deadbolt simultaneously.</li> </ul>

## FINISHES

ANSI/BHMA Code (US Designation) Finish Description				
<p>605 (US3) Bright Brass, Clear Coated</p>	<p>613E (US10BE) Dark Oxidized Satin Bronze - equivalent</p>	<p>619 (US15) Satin Nickel Plated, Clear Coated</p>	<p>626 (US26D) Satin Chrome Plated</p>	<p>(US10BP) Oil Rubbed Bronze - Permanent</p>



# YH Collection™ Interconnected Mechanical Locksets

## HOW TO ORDER



### Mechanical Deadbolt with Lever

Lever	Function	Latch		Strike		Cylinder/Core		Backset	Hand	Center to Center	Finish
		Lockset	Deadbolt	Lockset	Deadbolt	Lockset	Deadbolt				
AC = Academy AU = Augusta DW = Delaware MA = Marina MC = McClure MO = Monroe MN = Milan NW = Norwood PB = Pacific Beach WL = Woodland VL = Valdosta VG = Virgo	YR852 = Passage YR853 = Privacy with Deadbolt Indicator YR872 = Entry	See page 11.		See page 11.		See page 16. LC = Less Cylinder* SFIC-LC = Less Small Format Core LFIC-LC = Less Large Format Core		2-3/8" 2-3/4"	RH LH	4" 5-1/2"	605 (US3) = Bright Brass Clear Coated 613E (US10BE) = Dark Oxidized Satin Bronze - equivalent 619 (US15) = Satin Nickel Plated Clear Coated 626 (US26D) = Satin Chrome Plated 0BP (US10BP) = Oil Rubbed Bronze - Permanent

\* Cylinder that will be installed MUST be specified on the order.

## BUILD YOUR ORDER STRING

Quantity	Lever	Function	Latch		Strike		Cylinder/Core		Backset	Handing	Center to Center	Finish
			Lockset	Deadbolt	Lockset	Deadbolt	Lockset	Deadbolt				
<i>Example:</i>	NW	YR852	YR01808	YR01D44	YR02020	YR02086	N/A	YR06Y416	2-3/4"	RH	4"	626

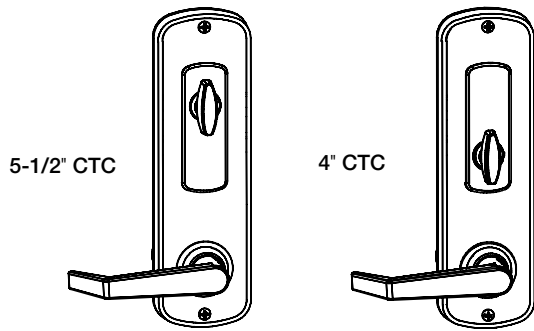
The example above provides a single locking function unit with 2-3/4" square corner latches with a PARA keyway cylinder. Lockset will be preset to RH and 4" CTC.



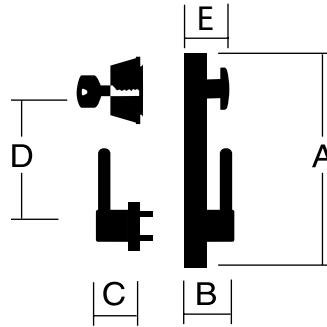
# Dimensions/Exploded View

## CENTER TO CENTER DIMENSIONS

All mechanical locksets easily adjust to either a 4" or 5-1/2" center to center dimension.

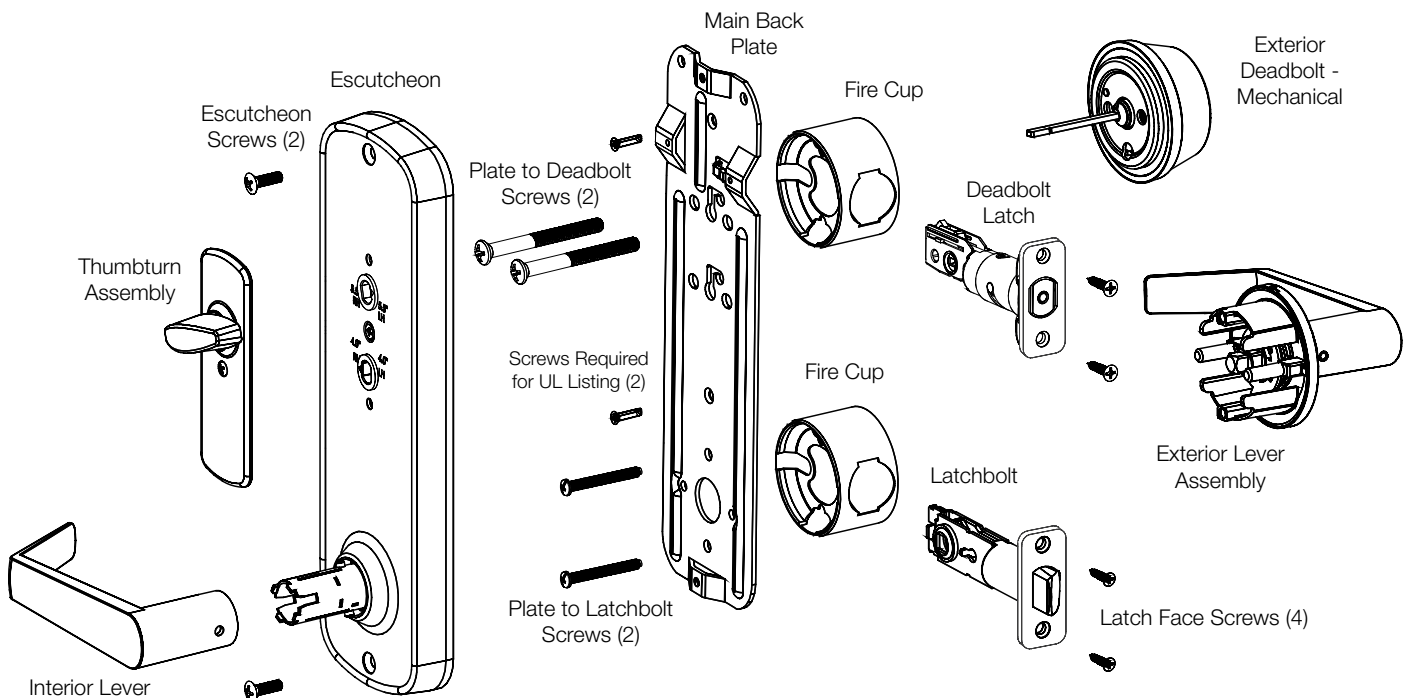


## PRODUCT DIMENSIONS



Dimensions				
A	B	C	D	E
10-5/8"	2-5/8"	2-1/2"	4" or 5-1/2"	1-3/4"

## MECHANICAL





---

## Sample Architectural Specification

All locksets shall be YH Collection™ Mechanical Interconnected Lever Locksets provided by Yale Locks & Hardware.

All locksets shall have a simultaneous retraction of latchbolt and deadbolt with a single motion of turning the lever handle.

Locks shall have an interlocking tubular chassis and latchbolt. Chassis mounting screws shall be concealed and accessible only when the levers and roses are removed.

The latchbolt shall have a 1/2" (13mm) throw and entry functions shall include a deadlocking feature to inhibit manipulation when the door is locked.

All locksets shall be adjustable for 1-3/8" (35mm) and 1-3/4" (51mm) door thickness.

All mechanical locksets shall be adjustable for 4" (102mm) and 5-1/2" (140mm) center to center dimension.

Levers shall operate independently and shall have inside and outside lever return springs to prevent lever sag.

All locksets shall include a mechanical cylindrical deadbolt.

All locksets shall be furnished with two keys. All cylinder plugs shall be brass and furnished with 6-pin chambers for master keying capabilities.

All lockset shall be furnished in standard ANSI/BHMA architectural finishes.

### **Certification:**

ANSI/BHMA A156.12, Grade 2

UL/cUL 1-1/2 Hour Fire Rating

ANSI A117.1 Accessibility Code

All locksets shall carry a three-year mechanical warranty.





# Yale® Assure Lock™ Interconnected Locksets





# Yale® Assure Lock™ Interconnected Locksets

## FEATURES

- 12 lever designs and 3 finishes
- Available in push button, touchscreen or key free
- 4" or 5-1/2" center to center
- ANSI/BHMA A156.12 Grade 2 certified
- Available with fixed core or SFIC
- Field reversible handing
- Three year warranty on mechanical operation. One year on finish and electronics.



Yale Real Living Assure Lock™ Interconnected Push Button



Yale Real Living Assure Lock™ Interconnected Touchscreen



Yale Real Living Assure Lock™ Interconnected Key Free Touchscreen



## SPECIFICATIONS

Door Specs:	2-1/8" (54mm) Face Bore, 1" (25mm) Edge Bore, 4" (102mm) or 5-1/2" (140mm) Center to Center
Backset:	2-3/8" (60mm) or 2-3/4" (70mm)
Door Thickness:	1-3/8" (35mm) to 1-3/4" (44mm)
Handing:	Field Reversible
Latch Faceplate:	1" (25mm) W x 2-1/4" (57mm) H; Radius Corner standard
Strike:	2-1/4" (57mm) Full Lip Lockset and 1" (25mm) W x 2-1/4" (57mm) H Deadbolt; Radius Corner standard, other strikes available to order.
Cylinder:	KW-1 Compatible standard, other cylinders/keyways available to order
Keying:	KD (Keyed Different) standard, master keying available to order
Packaging:	Box Pack
ANSI/BHMA:	Certified ANSI/BHMA A156.12, Grade 2
UL/cUL:	Listed for 20 minute fire doors
Warranty:	Three years mechanical operation, one year finish and electronics



## APPLICATIONS

- ▶ Multi-family residences
- ▶ Assisted living facilities
- ▶ Public restrooms
- ▶ Offices and small business applications



# Yale® Assure Lock™ Interconnected Locksets

## STYLES



YRC216	YRC226	YRC246
<p><b>Passage with Push Button Keypad</b></p> <ul style="list-style-type: none"> <li>• Uses Yale Real Living Assure Lock™ push button.</li> <li>• Single point lock.</li> <li>• Latchbolt is operated by either lever at all times.</li> <li>• Deadbolt activated by electronic keypad interaction or by key outside; inside by T-turn.</li> <li>• Interior lever retracts latch and deadbolt simultaneously.</li> </ul>	<p><b>Passage with Touchscreen</b></p> <ul style="list-style-type: none"> <li>• Uses Yale Real Living Assure Lock™ touchscreen.</li> <li>• Single point lock.</li> <li>• Latchbolt is operated by either lever at all times.</li> <li>• Deadbolt activated electronic touchscreen interaction or by key outside; inside by T-turn.</li> <li>• Interior lever retracts latch and deadbolt simultaneously.</li> </ul>	<p><b>Passage with Key Free Touchscreen</b></p> <ul style="list-style-type: none"> <li>• Uses Yale Real Living Assure Lock™ key free touchscreen.</li> <li>• Single point lock.</li> <li>• Latchbolt is operated by either lever at all times.</li> <li>• Deadbolt activated electronic touchscreen interaction outside; inside by T-turn.</li> <li>• Interior lever retracts latch and deadbolt simultaneously.</li> <li>• Use a 9V battery backup on the outside as a override in case the batteries die.</li> </ul>

## FINISHES

ANSI/BHMA Code (US Designation) Finish Description		
<p><b>605 (US3) Bright Brass, Clear Coated</b></p>	<p><b>619 (US15) Satin Nickel Plated, Clear Coated</b></p>	<p><b>(US10BP) Oil Rubbed Bronze - Permanent</b></p>



## How To Order

Use this outline to build the model number for the Yale® Assure Lock™ Interconnected Lockset you require.

Style	Technology	Lever	Center to Center	Cylinder	Finish	Handing
YRC226 = Touchscreen	NR = No Radio	AC = Academy	4 - 4"	KA = KW Keyed alike	605 (US3) = Bright Brass Clear Coated	RH
YRC216 = Pushbutton	ZW2 = Z-Wave	AU = Augusta	5 - 5-1/2"	SA = SC Keyed alike	619 (US15) = Satin Nickel Plated Clear Coated	LH
YRC246 = Key Free Touchscreen	HA2 = ZigBee	DE = Delaware		KD = KW Keyed different	0BP (US10BP) = Oil Rubbed Bronze - Permanent	
	CA2 = Control4	DE = Delaware		SD = SC Keyed Different		
	CR2 = Crestron	MC = McClure		PA = PARA keyed alike		
		MN = Milan		PD = PARA Different		
		MO = Monroe		SF = SFIC*		
		NW = Norwood				
		PB = Pacific Beach				
		VG = Virgo				
		VL = Valdosta				
		WL = Woodland				

\*SFIC less cylinder

## BUILD YOUR ORDER STRING

Quantity	Style	Technology	Lever	Center to Center	Cylinder	Finish
<i>Example:</i>	YRC226	ZW2	NW	4"	KA	619

### Notes:

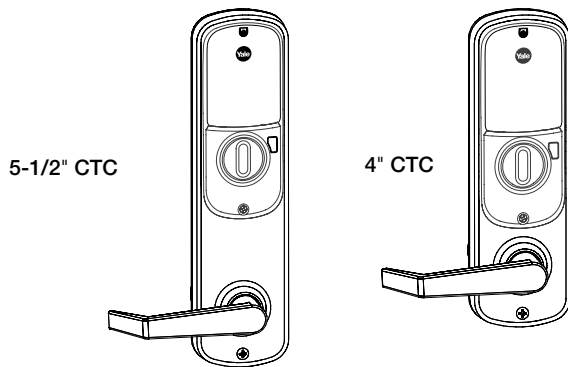
- Order the module compatible with your home or security automation system
- The Yale Real Living® Assure Lock™ Interconnected lock comes standard with three latches:
  - One adjustable backset deadbolt latch
  - One 2-3/8" backset lever latch
  - One 2-3/4" backset lever latch
 Non-standard latches must be ordered separately.  
 All latches are radius corner.
- All master key, builder key or keyed alike requests must be added to the order as a note.



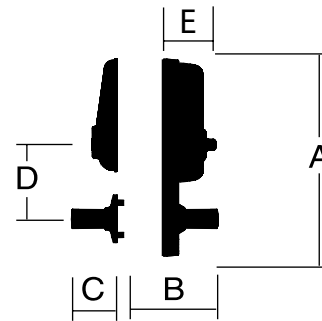
# Dimensions/Exploded View

## CENTER TO CENTER DIMENSIONS

All electronic locksets available as 4" or 5-1/2" center to center dimension. Must be ordered this way from the factory and are not field changeable.

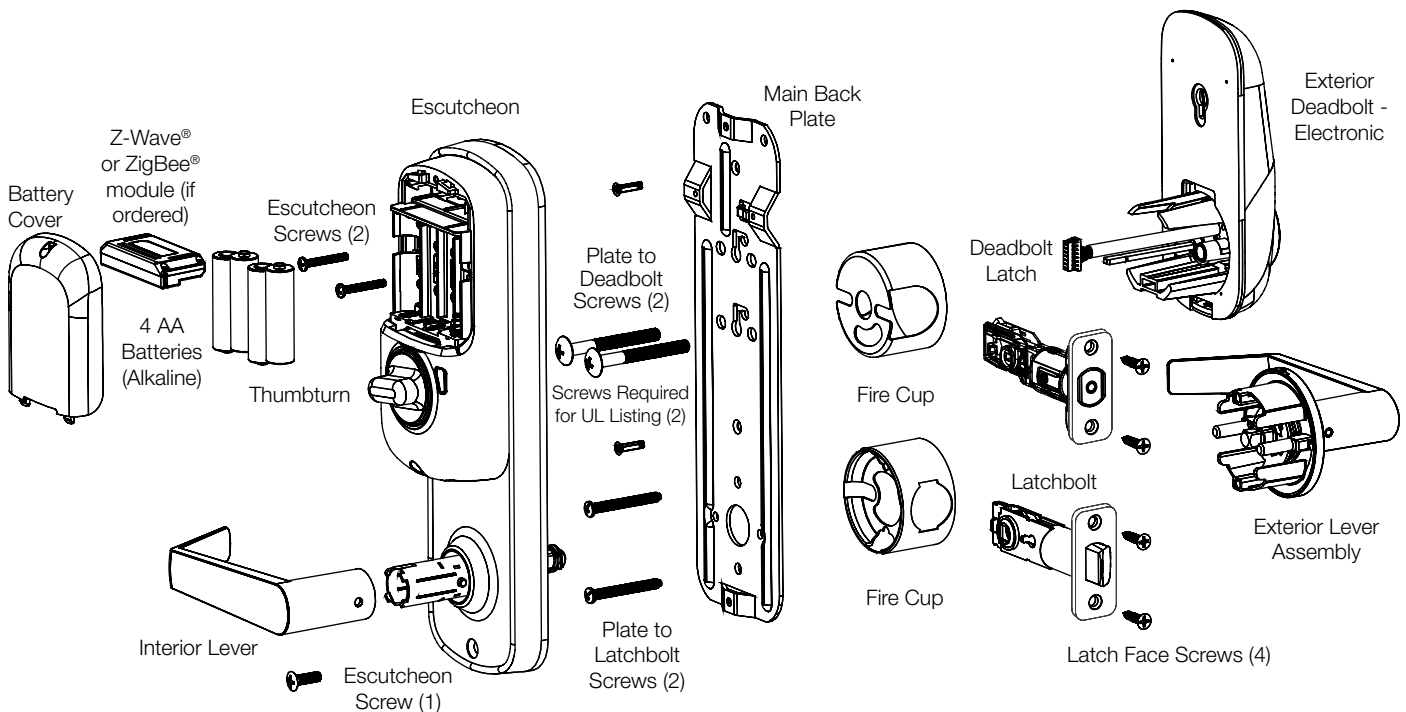


## PRODUCT DIMENSIONS



Dimensions				
A	B	C	D	E
10-5/8"	2-5/8"	2-1/2"	4"	2-13/16"
12-1/8"			5-1/2"	

## ELECTRONIC





---

## Sample Architectural Specification

All locksets shall be Yale Real Living® Assure Lock™ Interconnected Lever Locksets provided by Yale Locks & Hardware.

All locksets shall have a simultaneous retraction of latchbolt and deadbolt with a single motion of turning the lever handle.

Locks shall have an interlocking tubular chassis and latchbolt. Chassis mounting screws shall be concealed and accessible only when the levers and roses are removed.

The latchbolt shall have a 1/2" (13mm) throw and entry functions shall include a deadlocking feature to inhibit manipulation when the door is locked.

All locksets shall be adjustable for 1-3/8" (35mm) and 1-3/4" (51mm) door thickness.

All electronic locksets shall be available with either a 4" (102mm) or 5-1/2" (140mm) center to center dimension.

Levers shall operate independently and shall have inside and outside lever return springs to prevent lever sag.

All locksets shall include an electronic cylindrical deadbolt.

All locksets shall be furnished with two keys. All cylinder plugs shall be brass and have master keying capabilities.

All lockset shall be furnished in standard ANSI/BHMA architectural finishes.

### **Certification:**

ANSI/BHMA A156.12, Grade 2  
UL/cUL 1-1/2 Hour Fire Rating  
ANSI A117.1 Accessibility Code


All locksets shall carry a three-year mechanical and one year electronic warranty.




# Interconnected Lock Lever Selection

## LEVERS



<p><b>ACADEMY (AC)</b></p> 	<p><b>AUGUSTA (AU)</b> Formerly Citadel (CD)</p> 	<p><b>DELAWARE (DW)</b></p> 	<p><b>MARINA (MA)</b></p> 
<p><b>McCLURE (MC)</b></p> 	<p><b>MONROE (MO)</b> Formerly Meridian (ME)</p> 	<p><b>MILAN (MN)</b></p> 	<p><b>NORWOOD (NW)</b></p> 
<p><b>PACIFIC BEACH (PB)</b> Formerly Cascade (CS)</p> 	<p><b>WOODLAND (WL)</b></p> 	<p><b>VALDOSTA (VL)</b></p> 	<p><b>VIRGO (VG)</b></p> 

Roses only as shown

 Levers available with small format interchangeable core (SFIC) prep x less core. Available for mechanical function YR872 only.

## SPECIFY LEVER SELECTION

Electronic and Mechanical Interconnected products ship with standard lever "Norwood" unless otherwise specified on order.





# Cylinders

## FIXED CORE

Lock Type	Keyway	Description	Model Number		Number of Pins
			Lockset	Deadbolt	
Mechanical	Kwikset®	Standard cylinder. Available 1-bitted, KA, KD (std), MK, BK	YR06D013 (605) YR06D016 (626)	YR06D103ICN (605) YR06D106ICN (626)	6
	Yale® PARA	Optional cylinder. Available 0-bitted, KD, KA, MK, BK	YR06Y303 (605) YR06Y306 (626)	YR06Y413ICN (605) YR06Y416ICN (626)	6
	Yale® GA	Optional cylinder. Available 0-bitted, KD, KA, MK, CMK	1803-54K	1803-134S	6
	Arrow AR	Optional cylinder. Available KA, KD	100YC	692C	6
	Schlage® C	Optional cylinder. Available 0-bitted, KD, KA, MK, BK	YR068D01 (605) YR068D05 (626)	YR068D02ICN (605) YR068D06ICN (626)	6
Electronic	Kwikset®	Standard cylinder. Available KA, KD (std), MK	N/A	AYRD200-KW	5
	Yale® PARA	Optional cylinder. Available 0-bitted, KD, KA, MK, BK	N/A	AYRD200-PA	6
	Schlage® C	Optional cylinder. Available 0-Bitted, KA, KD, MK	N/A	AYRD200-SC	5

**Note: Other Yale Commercial keyways and cylinder mechanisms available separately. Contact customer service for availability.**  
**605 finish cylinders used with 605, 613E and 10BP finish locks.**  
**626 finish cylinders used with 619 and 626 finish locks.**  
**Specify finish and keying when ordering.**

## INTERCHANGEABLE CORE

### Small Format

Small format interchangeable core is available.

To order, specify "x SFIC-LC" for cylinder. i.e. AU x YR852 x SFIC-LC x 4" x 626

For entry functions, SFIC is available with for AU, MO and PB designs only. Mechanical only.

All units will be provided less core. Model number A600 or K600 cores can be ordered separately through Yale Commercial.

### Large Format (Mechanical Only)

Yale Commercial large format interchangeable core is available for passage function.

To order, specify "x LFIC-LC" for cylinder. i.e. AU x YR852 x LFIC-LC x 4" x 626

All units will be provided less 6-pin core only. LFIC cores can be ordered separately through Yale Commercial.

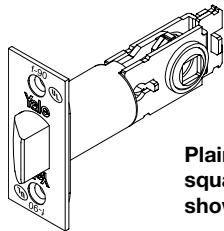




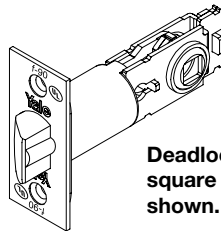
# Latchbolts

## LOCKSET LATCHES

Passage (single keyed), privacy and electronic locks supplied with plain (spring) latchbolts. Entry (double keyed) supplied with deadlocking latchbolts.



**Plain (Spring)  
square corner  
shown.**



**Deadlocking  
square corner  
shown.**

### Plain (Spring)

Model No.	Front	Backset	Front Width	Throw	Latch Diameter**
YR01802*U	Radius	2-3/8" (60mm)	1" (25mm)	1/2" (13mm)	7/8" (22mm)
YR01804*U	Square	2-3/8" (60mm)	1" (25mm)	1/2" (13mm)	7/8" (22mm)
YR01806*U	Radius	2-3/4" (70mm)	1" (25mm)	1/2" (13mm)	7/8" (22mm)
YR01808*U	Square	2-3/4" (70mm)	1" (25mm)	1/2" (13mm)	7/8" (22mm)

Used with YR852, YR853, YRC216, YRC226, YRC246.

### Deadlocking

Model No.	Front	Backset	Front Width	Throw	Latch Diameter**
YR01812*U	Radius	2-3/8" (60mm)	1" (25mm)	1/2" (13mm)	7/8" (22mm)
YR01814*U	Square	2-3/8" (60mm)	1" (25mm)	1/2" (13mm)	7/8" (22mm)
YR01816*U	Radius	2-3/4" (70mm)	1" (25mm)	1/2" (13mm)	7/8" (22mm)
YR01818*U	Square	2-3/4" (70mm)	1" (25mm)	1/2" (13mm)	7/8" (22mm)

Used with YR872.

**Note: All latchbolts are only available with flat fronts, not recommended for beveled doors. 1-1/8" latch filler provided.**

**\*Specify finish when ordering "3" for 605; "6" for 619, 626; "B" for 10BP; "C" for 613E.**

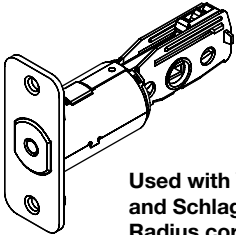
**\*\*1/8" sleeve (P/N YR035110) supplied with all latchbolts to accommodate 1" preps.**



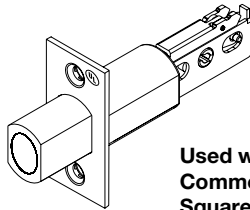
# Latchbolts

## DEADBOLT LATCHES

For mechanical locksets with Yale® PARA, KW1 and Schlage® C keyway cylinders and all electronic locksets, adjustable backset deadbolt latches are standard. For all other cylinder types, backset must be specified.



Used with Yale PARA, Kwikset and Schlage C Keyway Cylinders. Radius corner shown.



Used with SFIC, Arrow and Yale Commercial Keyway Cylinders. Square corner shown.

### Mechanical

Model No.	Front	Backset	"W" Front Width	Throw
YR01D44*U	Square	Adjustable^	1" (25mm)	1" (25mm)
YR01D41*U	Radius	Adjustable^	1" (25mm)	1" (25mm)

### For use with Yale PARA, Kwikset and Schlage C keyway cylinders

D38	Square	2-3/8" Fixed	1" (25mm)	1" (25mm)
D38R	Radius	2-3/8" Fixed	1" (25mm)	1" (25mm)
D34	Square	2-3/4" Fixed	1" (25mm)	1" (25mm)
D34R	Radius	2-3/4" Fixed	1" (25mm)	1" (25mm)

### For use with SFIC, Arrow and Yale Commercial keyway cylinders.

### Electronic

Model No.	Front	Backset	"W" Front Width	Throw
AYRDB	Radius	Adjustable^	1" (25mm)	1" (25mm)

Screw packs not provided for latchbolts ordered separately.

\*Specify finish when ordering "3" for 605; "6" for 619, 626; "B" for 10BP; "C" for 613E.

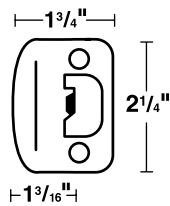
^Adjustable between 2-3/8" and 2-3/4".



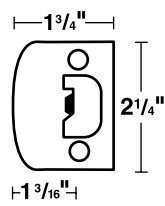
# Strikes

Yale® interconnected locks are available with a variety of strike options. All strikes are located on the same vertical and horizontal center lines as the latchbolt and deadbolt. All strikes are reversible. Strikes are fabricated of either brass, bronze or stainless steel, depending on the lockset trim finish. When ordering strikes separately, please specify the finish required.

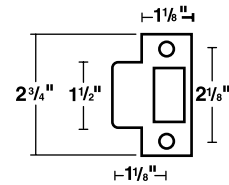
## LOCKSET



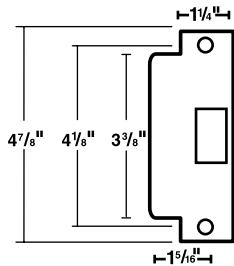
**Model No. YR02000\* Full Lip Strike Radius Corner**  
Standard strike supplied with all units. Plastic strike dust box available separately.



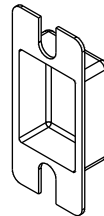
**Model No. YR02001\* Full Lip Strike Square Corner**  
Optional strike available. Plastic strike dust box available separately.



**Model No. YR02020\* T-Strike**  
Optional strike available. Plastic strike dust box available separately.

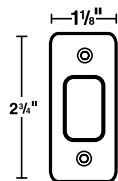


**Model No. YR02030\* ANSI 4-7/8 Strike with Screw Pack**  
Optional strike available. Plastic strike dust box available separately.

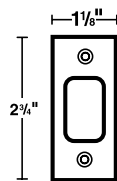


**Model No. YR026003 Plastic Strike Dust Box**  
Available separately.

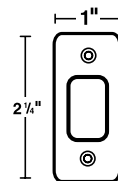
## DEADBOLT



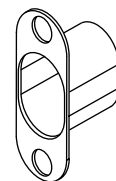
**Model No. YR02088\* Universal Deadbolt Strike Radius Corner**  
Standard strike supplied with all mechanical units. Plastic strike dust box available separately.



**Model No. YR02086\* Universal Deadbolt Strike Square Corner**  
Optional strike available for all mechanical units. Plastic strike dust box available separately.



**Model No. AYRD-SCREW\* Deadbolt Strike Radius Corner with Screw Pack**  
Standard strike supplied with all electronic units.



**Model No. YR026002 Plastic Strike Dust Box**  
Available Separately.

**Note: See Yale Residential price catalog for additional optional deadbolt strikes.**

**\*Specify finish when ordering “3” for 605; “6” for 619, 626; “B” for 10BP; “C” for 613E. Screw packs not provided for strikes ordered separately unless indicated.**

---

## Contact Us

### U.S.A.

#### Yale Locks & Hardware

Address: 225 Episcopal Road  
Berlin, CT 06037-4004  
Tel: 1-800-438-1951  
Fax: 1-800-338-0965  
yalelocks.com

### Canada:

#### ASSA ABLOY Door Security Solutions Canada

Address: 160 Four Valley Drive  
Vaughan, Ontario L4K 4T9  
Tel: 1-800-461-3007  
Fax: 1-800-461-8989  
assaabloy.ca

The world's favorite lock



### International:

#### ASSA ABLOY Americas International

Tel: 1-905-821-7775  
Fax: 1-905-821-1429  
assaabloyai.com

Yale Locks & Hardware is a division of Yale Security Inc., an ASSA ABLOY Group company.

Yale® and Yale Real Living® are registered trademarks of Yale Security Inc., an ASSA ABLOY Group company. Assure Lock™ and YH Collection™ are trademarks of Yale Security Inc., an ASSA ABLOY Group company. Other products' brand names may be trademarks or registered trademarks of their respective owners and are mentioned for reference purposes only. These materials are protected under U.S. copyright laws. All contents current at time of publication. Yale Security, Inc. reserves the right to change availability of any item in this catalog, its design, construction, and/or its materials. Copyright © 2016-2017, Yale Security Inc., an ASSA ABLOY Group company. All rights reserved. Reproduction in whole or in part without the express written permission of Yale Security Inc., an ASSA ABLOY Group company is prohibited.

**YALE**, with its unique global reach and range of products, is the world's favorite lock.

**ASSA ABLOY** is the global leader in door opening solutions, dedicated to satisfying end-user needs for security, safety and convenience.

099360-9/17E